



JEKKO
Lifting Beams



Jekko srl
Via Campardone, 1 - 31014 Colle Umberto (TV) Italy
info@jekko.it - www.jekko-cranes.com

Product Catalog

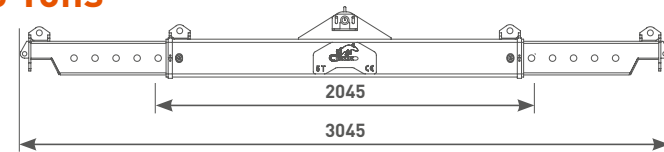
Lifting Beams



Technical Information



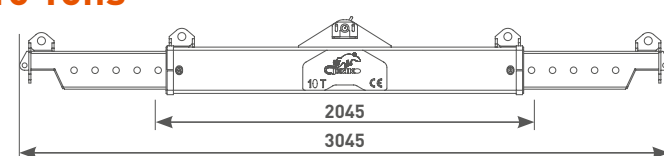
5 Tons



	JLB-5
Lifting capacity	5000 kg
Minimum width	2086 mm
Maximum width	3086 mm
Weight	100 kg
Lifting anchor points	5
Arms extension points	6



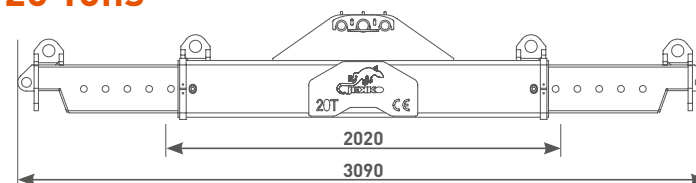
10 Tons



	JLB-10
Lifting capacity	10000 kg
Minimum width	2092 mm
Maximum width	3092 mm
Weight	160 kg
Lifting anchor points	5
Arms extension points	6



20 Tons



	JLB-20
Lifting capacity	20000 kg
Minimum width	2171 mm
Maximum width	3171 mm
Weight	300 kg
Lifting anchor points	7
Arms extension points	6



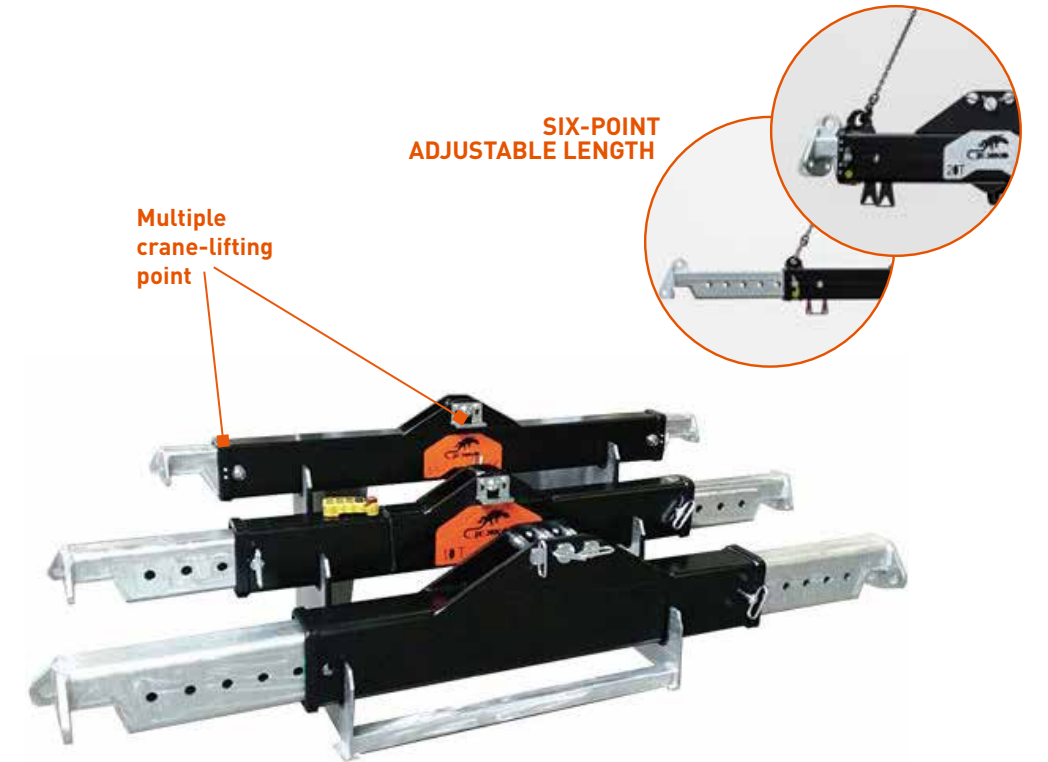
Key Features

Three sizes available

Three lifting anchor points each side



Multiple crane-lifting point



SIX-POINT ADJUSTABLE LENGTH



Description

Used for a variety of applications, from industrial handling to load lifting, the special feature of the Jekko lifting beam is its side telescopic extension for increased versatility during operation.

Made of high-strength steel and fitted with galvanized extensions and a painted central frame, it has several hooking points for different lifting configurations.

The Jekko lifting beam range includes 5-, 10- and 20-tonne capacity models.

