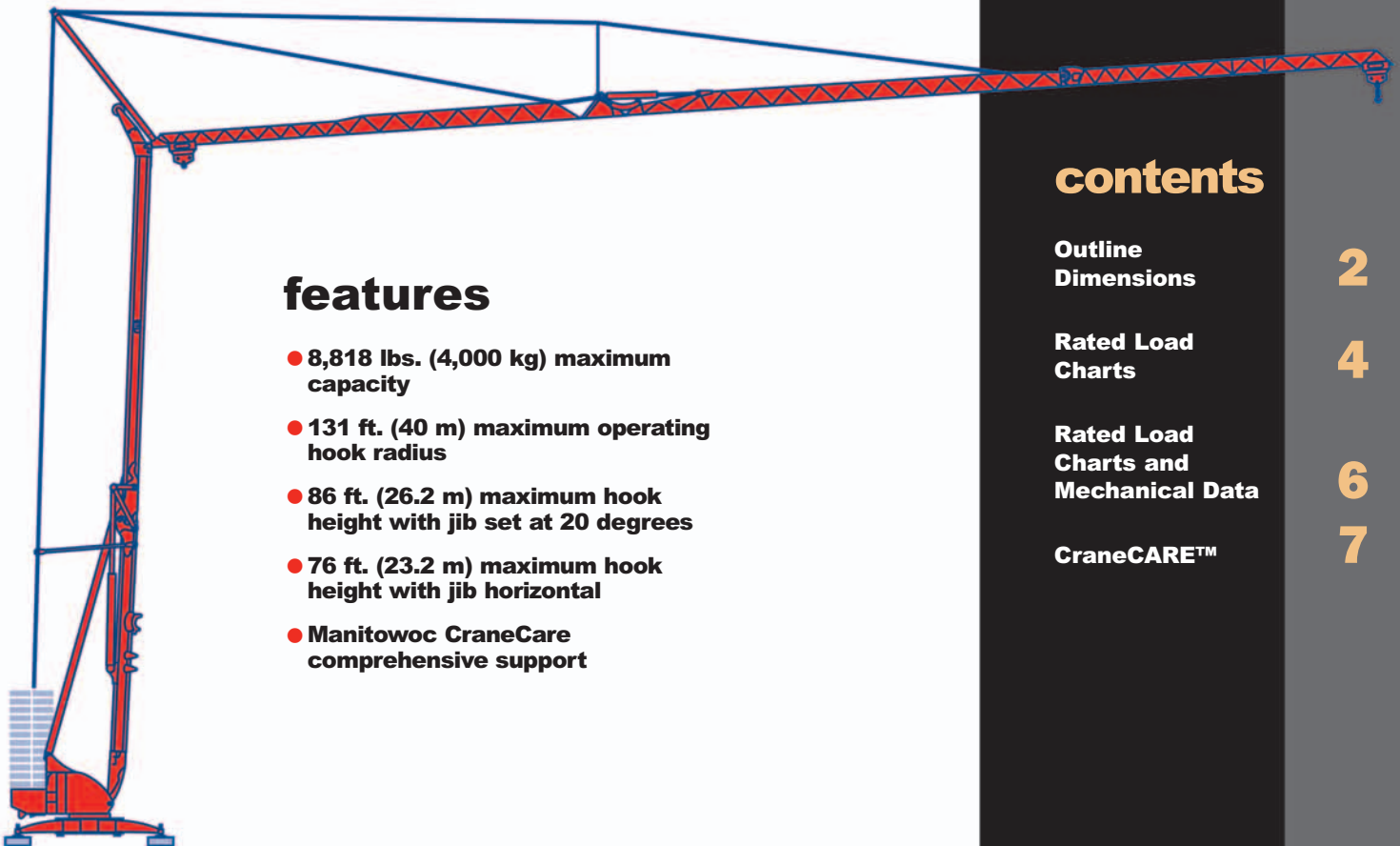


# Igo 50

## product guide



### features

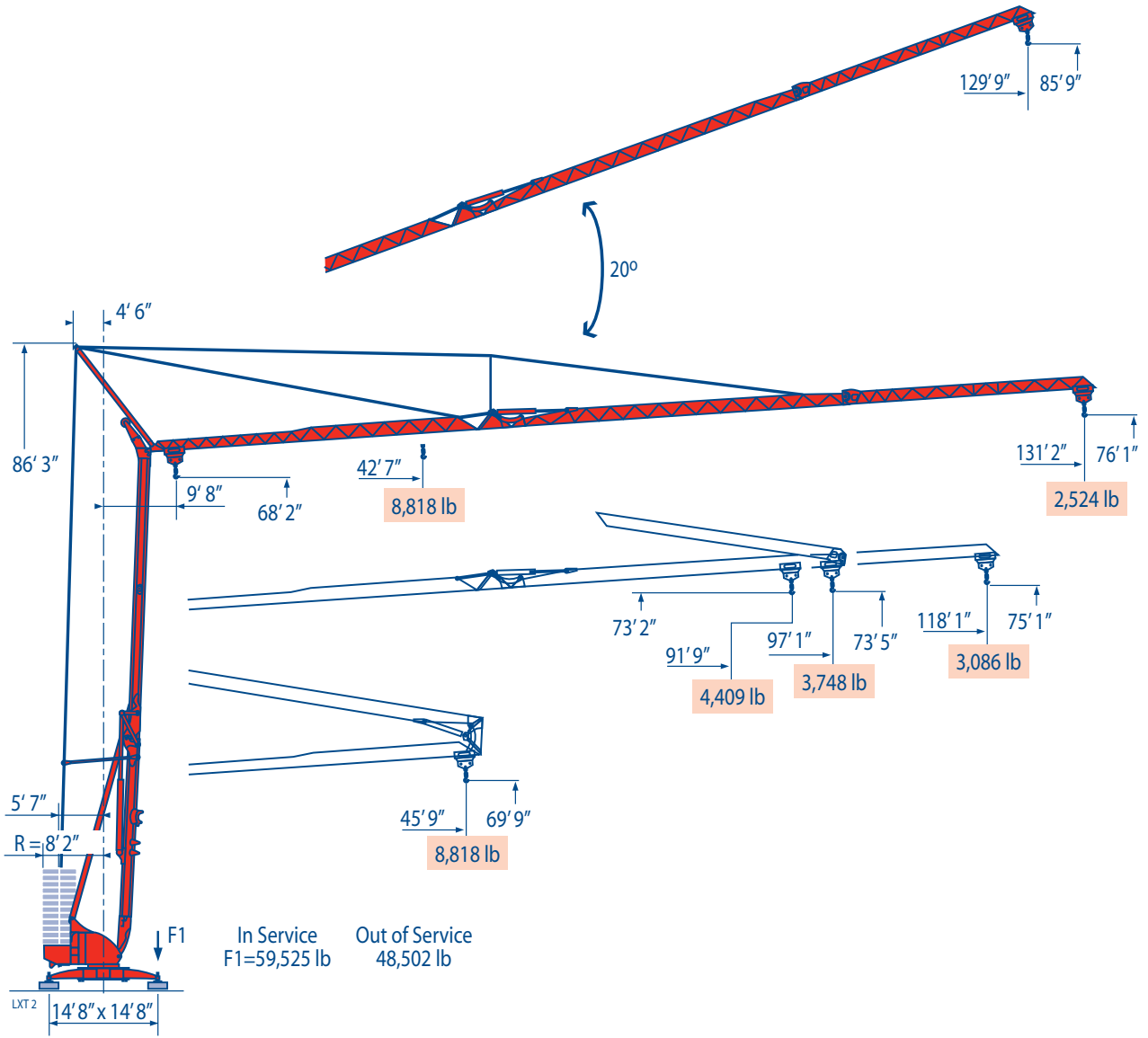
- 8,818 lbs. (4,000 kg) maximum capacity
- 131 ft. (40 m) maximum operating hook radius
- 86 ft. (26.2 m) maximum hook height with jib set at 20 degrees
- 76 ft. (23.2 m) maximum hook height with jib horizontal
- Maniwoc CraneCare comprehensive support

### contents

Outline Dimensions	2
Rated Load Charts	4
Rated Load Charts and Mechanical Data	6
CraneCARE™	7

# outline dimensions

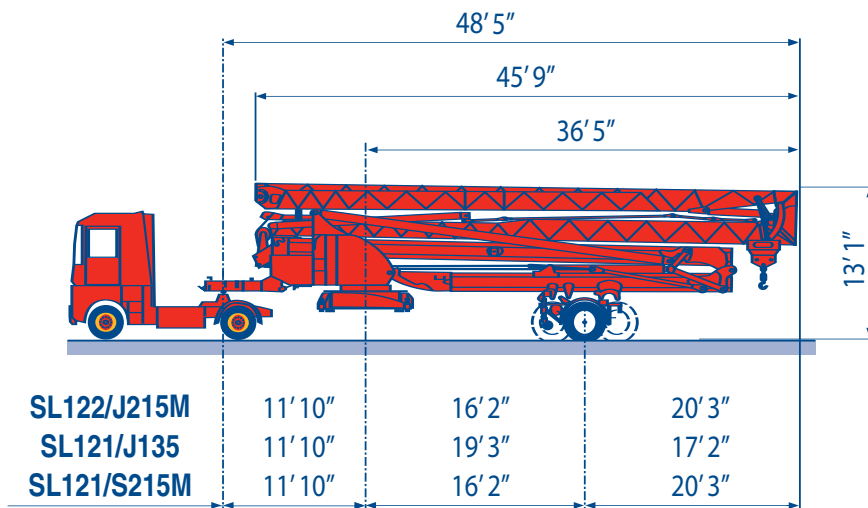
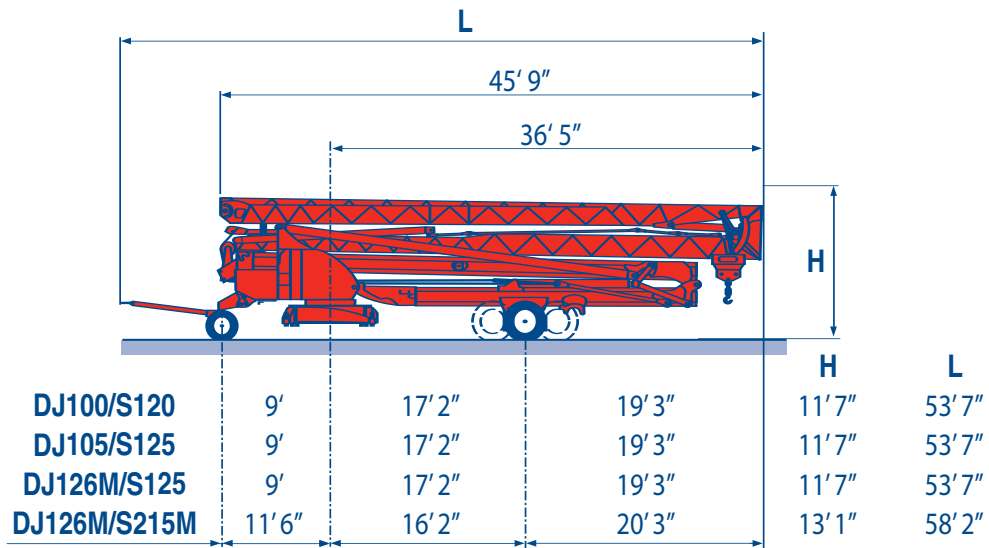
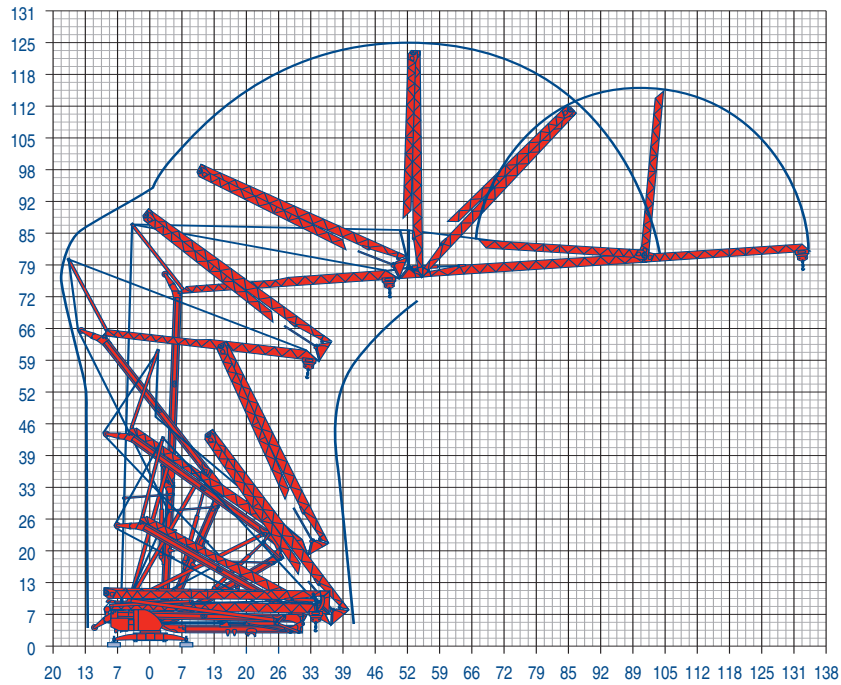
2



Igo 50

# outline dimensions

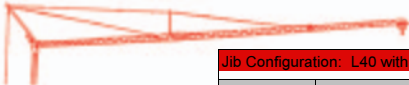
3



Igo 50

# rated load charts

4



**Jib Configuration: L40 with maximum hook reach of 131'-3" set at 0 degrees**

Hook Reach	9'-10"	42'-8"	45'-11"	49'-3"	52'-6"	55'-9"	59'-1"	62'-4"	65'-7"	72'-2"	75'-6"	78'-9"	79'-5"	82'-0"	88'-7"	98'-5"	105'-0"	114'-10"	121'-5"	131'-3"
Reeving	Capacities (lbs)																			
1C	4,409	4,409	4,409	4,409	4,409	4,409	4,409	4,409	4,409	4,409	4,409	4,409	4,409	4,233	3,869	3,417	3,164	2,844	2,668	2,425
SM	4,409	4,409	4,409	4,409	4,409	4,409	4,409	4,409	4,409	4,409	4,178	4,136	3,968	3,616	3,175	2,932	2,612	2,436	2,205	2,205
DM	8,818	8,818	8,080	7,419	6,845	6,360	5,930	5,556	5,214	4,409	4,178	4,136	3,968	3,616	3,175	2,932	2,612	2,436	2,205	2,205

Maximum Hook Heights at Jib Tip: H = 76'-1"  
Maximum Hook Heights at Jib Foot: H = 68'-3"



**Jib Configuration: L36 with maximum hook reach of 118'-1" set at 0 degrees**

Hook Reach	9'-10"	46'-11"	49'-3"	52'-6"	55'-9"	59'-1"	62'-4"	65'-7"	72'-2"	79'-5"	83'-0"	85'-4"	87'-3"	88'-7"	98'-5"	105'-0"	114'-10"	118'-1"	
Reeving	Capacities (lbs)																		
1C	4,409	4,409	4,409	4,409	4,409	4,409	4,409	4,409	4,409	4,409	4,409	4,409	4,409	4,409	4,321	3,825	3,549	3,197	3,086
SM	4,409	4,409	4,409	4,409	4,409	4,409	4,409	4,409	4,409	4,409	4,277	4,158	4,079	3,594	3,594	3,318	2,965	2,866	2,866
DM	8,818	8,818	8,080	7,683	7,132	6,658	6,239	5,864	5,225	4,707	4,409	4,277	4,158	4,079	3,594	3,318	2,965	2,866	2,866

Maximum Hook Heights at Jib Tip: H = 75'-2"  
Maximum Hook Heights at Jib Foot: H = 68'-3"



**Jib Configuration: L40 with maximum hook reach of 97'-1" set at 0 degrees**

Hook Reach	9'-10"	45'-7"	49'-3"	52'-6"	55'-9"	59'-1"	62'-4"	65'-7"	72'-2"	81'-0"	82'-0"	84'-8"	85'-4"	88'-7"	97'-1"
Reeving	Capacities (lbs)														
1C	4,409	4,409	4,409	4,409	4,409	4,409	4,409	4,409	4,409	4,409	4,409	4,409	4,409	4,409	4,378
SM	4,409	4,409	4,409	4,409	4,409	4,409	4,409	4,409	4,409	4,409	4,409	4,332	4,173	4,134	3,946
DM	8,818	8,818	8,058	7,441	6,911	6,449	6,041	5,677	5,060	4,409	4,332	4,173	4,134	3,946	3,527

Maximum Hook Heights at Jib Tip: H = 73'-6"  
Maximum Hook Heights at Jib Foot: H = 68'-3"



**Jib Configuration: L36 with maximum hook reach of 97'-1" set at 0 degrees**

Hook Reach	9'-10"	45'-7"	49'-3"	52'-6"	55'-9"	59'-1"	62'-4"	65'-7"	72'-2"	81'-0"	82'-0"	84'-8"	85'-4"	88'-7"	97'-1"
Reeving	Capacities (lbs)														
1C	4,409	4,409	4,409	4,409	4,409	4,409	4,409	4,409	4,409	4,409	4,409	4,409	4,409	4,370	4,178
SM	4,409	4,409	4,409	4,409	4,409	4,409	4,409	4,409	4,409	4,409	4,409	4,332	4,173	4,134	3,946
DM	8,818	8,818	8,058	7,441	6,911	6,449	6,041	5,677	5,060	4,409	4,332	4,173	4,134	3,946	3,527

Maximum Hook Heights at Jib Tip: H = 73'-6"  
Maximum Hook Heights at Jib Foot: H = 68'-3"



**Jib Configuration: L28 with maximum hook reach of 91'-10" set at 0 degrees**

Hook Reach	9'-10"	51'-6"	55'-9"	59'-1"	62'-4"	65'-7"	72'-2"	75'-6"	82'-0"	85'-4"	88'-7"	91'-10"
Reeving	Capacities (lbs)											
1C	4,409	4,409	4,409	4,409	4,409	4,409	4,409	4,409	4,409	4,409	4,409	4,409
SM	4,409	4,409	4,409	4,409	4,409	4,409	4,409	4,409	4,409	4,409	4,409	4,409
DM	8,818	8,818	8,014	7,485	7,011	6,592	5,886	5,578	5,049	4,828	4,808	4,409

Maximum Hook Heights at Jib Tip: H = 73'-2"  
Maximum Hook Heights at Jib Foot: H = 68'-3"



**Jib Configuration: L40 with maximum hook reach of 45'-11" set at 0 degrees**

Hook Reach	9'-10"	45'-11"
Reeving	Capacities (lbs)	
1C	4,409	4,409
SM	4,409	4,409
DM	8,818	8,818

Maximum Hook Heights at Jib Tip: H = 69'-11"  
Maximum Hook Heights at Jib Foot: H = 68'-3"



**Jib Configuration: L36 with maximum hook reach of 45'-11" set at 0 degrees**

Hook Reach	9'-10"	45'-11"
Reeving	Capacities (lbs)	
1C	4,409	4,409
SM	4,409	4,409
DM	8,818	8,818

Maximum Hook Heights at Jib Tip: H = 69'-11"  
Maximum Hook Heights at Jib Foot: H = 68'-3"



**Jib Configuration: L28 with maximum hook reach of 45'-11" set at 0 degrees**

Hook Reach	9'-10"	45'-11"
Reeving	Capacities (lbs)	
1C	4,409	4,409
SM	4,409	4,409
DM	8,818	8,818

Maximum Hook Heights at Jib Tip: H = 69'-11"  
Maximum Hook Heights at Jib Foot: H = 68'-3"



**Jib Configuration: L40 with maximum hook reach of 129'-11" set at 8 degrees**

Hook Reach	9'-10"	74'-6"	78'-6"	82'-0"	88'-7"	98'-5"	105'-0"	114'-10"	121'-6"	129'-11"
Reeving	Capacities (lbs)									
1C	4,409	4,409	4,409	4,189	3,825	3,373	3,131	2,811	2,635	2,425
SM	4,409	4,409	4,156	3,924	3,571	3,131	2,888	2,579	2,403	2,205
DM										

Maximum Hook Heights at Jib Tip: H = 85'-11"  
Maximum Hook Heights at Jib Foot: H = 68'-3"



**Jib Configuration: L36 with maximum hook reach of 116'-10" set at 8 degrees**

Hook Reach	9'-10"	82'-4"	86'-3"	88'-7"	98'-5"	105'-0"	114'-10"	116'-10"
Reeving	Capacities (lbs)							
1C	4,409	4,409	4,409	4,266	3,770	3,494	3,153	3,086
SM	4,409	4,409	4,165	4,023	3,549	3,274	2,932	2,866
DM								

Maximum Hook Heights at Jib Tip: H = 83'-4"  
Maximum Hook Heights at Jib Foot: H = 68'-3"

Igo 50

# rated load charts



## Jib Configuration: L40 with maximum hook reach of 96'-2" set at 8 degrees

Hook Reach	9'-10"	80'-1"	83'-8"	88'-7"	96'-2"					
Reeving	Capacities (lbs)									
1C	4,409	4,409	4,409	4,123	3,748					
SM	4,409	4,409	4,193	3,902	3,527					
DM										

Maximum Hook Heights at Jib Tip: H = 80'-1"  
 Maximum Hook Heights at Jib Foot: H = 68'-3"

## Jib Configuration: L36 with maximum hook reach of 96'-2" set at 8 degrees

Hook Reach	9'-10"	80'-1"	83'-8"	88'-7"	96'-2"					
Reeving	Capacities (lbs)									
1C	4,409	4,409	4,409	4,123	3,748					
SM	4,409	4,409	4,193	3,902	3,527					
DM										

Maximum Hook Heights at Jib Tip: H = 80'-1"  
 Maximum Hook Heights at Jib Foot: H = 68'-3"

## Jib Configuration: L28 with maximum hook reach of 90'-11" set at 8 degrees

Hook Reach	9'-10"	90'-11"								
Reeving	Capacities (lbs)									
1C	4,409	4,409								
SM	4,409	4,409								
DM										

Maximum Hook Heights at Jib Tip: H = 79'-5"  
 Maximum Hook Heights at Jib Foot: H = 68'-3"

## Jib Configuration: L40 with maximum hook reach of 45'-7" set at 8 degrees

Hook Reach	9'-10"	45'-7"								
Reeving	Capacities (lbs)									
1C	4,409	4,409								
SM	4,409	4,409								
DM										

Maximum Hook Heights at Jib Tip: H = 72'-2"  
 Maximum Hook Heights at Jib Foot: H = 68'-3"

## Jib Configuration: L36 with maximum hook reach of 45'-7" set at 8 degrees

Hook Reach	9'-10"	45'-7"								
Reeving	Capacities (lbs)									
1C	4,409	4,409								
SM	4,409	4,409								
DM										

Maximum Hook Heights at Jib Tip: H = 72'-2"  
 Maximum Hook Heights at Jib Foot: H = 68'-3"

## Jib Configuration: L28 with maximum hook reach of 45'-7" set at 8 degrees

Hook Reach	9'-10"	45'-7"								
Reeving	Capacities (lbs)									
1C	4,409	4,409								
SM	4,409	4,409								
DM										

Maximum Hook Heights at Jib Tip: H = 72'-2"  
 Maximum Hook Heights at Jib Foot: H = 68'-3"

## Jib Configuration: L40 with maximum hook reach of 123'-4" set at 20 degrees

Hook Reach	9'-10"	123'-4"								
Reeving	Capacities (lbs)									
1C	2,425	2,425								
SM	2,205	2,205								
DM										

Maximum Hook Heights at Jib Tip: H = 110'-11"  
 Maximum Hook Heights at Jib Foot: H = 68'-3"

## Jib Configuration: L36 with maximum hook reach of 111'-3" set at 20 degrees

Hook Reach	9'-10"	111'-3"								
Reeving	Capacities (lbs)									
1C	2,425	2,425								
SM	2,205	2,205								
DM										

Maximum Hook Heights at Jib Tip: H = 105'-8"  
 Maximum Hook Heights at Jib Foot: H = 68'-3"

## Jib Configuration: L40 with maximum hook reach of 91'-6" set at 20 degrees

Hook Reach	9'-10"	91'-6"								
Reeving	Capacities (lbs)									
1C	2,425	2,425								
SM	2,205	2,205								
DM										

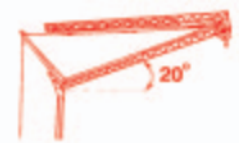
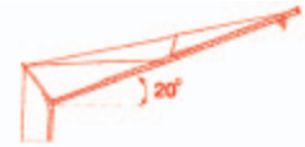
Maximum Hook Heights at Jib Tip: H = 97'-9"  
 Maximum Hook Heights at Jib Foot: H = 68'-3"

5

Igo 50

# rated load charts

6



**Jib Configuration: L36 with maximum hook reach of 91'-6" set at 20 degrees**

Hook Reach	9'-10"	91'-6"	Capacities (lbs)										
Reeving													
1C	2,425	2,425											
SM	2,205	2,205											
DM													

Maximum Hook Heights at Jib Tip: H = 97'-9"  
Maximum Hook Heights at Jib Foot: H = 68'-3"

**Jib Configuration: L28 with maximum hook reach of 86'-7" set at 20 degrees**

Hook Reach	9'-10"	86'-7"	Capacities (lbs)										
Reeving													
1C	2,425	2,425											
SM	2,205	2,205											
DM													

Maximum Hook Heights at Jib Tip: H = 97'-1"  
Maximum Hook Heights at Jib Foot: H = 68'-3"

**Jib Configuration: L40 with maximum hook reach of 44'-0" set at 20 degrees**

Hook Reach	9'-10"	44'-0"	Capacities (lbs)										
Reeving													
1C	2,425	2,425											
SM	2,205	2,205											
DM													

Maximum Hook Heights at Jib Tip: H = 80'-5"  
Maximum Hook Heights at Jib Foot: H = 68'-3"

**Jib Configuration: L36 with maximum hook reach of 44'-0" set at 20 degrees**

Hook Reach	9'-10"	44'-0"	Capacities (lbs)										
Reeving													
1C	2,425	2,425											
SM	2,205	2,205											
DM													

Maximum Hook Heights at Jib Tip: H = 80'-5"  
Maximum Hook Heights at Jib Foot: H = 68'-3"

**Jib Configuration: L28 with maximum hook reach of 44'-0" set at 20 degrees**

Hook Reach	9'-10"	44'-0"	Capacities (lbs)										
Reeving													
1C	2,425	2,425											
SM	2,205	2,205											
DM													

Maximum Hook Heights at Jib Tip: H = 80'-5"  
Maximum Hook Heights at Jib Foot: H = 68'-3"

# mechanical data

Function	Hoist Type	Speed vs Weight	2-part					4-part					Motor (hp)	Motor (kW)
			1st Gear	2nd Gear	3rd Gear	4th Gear	5th Gear	1st Gear	2nd Gear	3rd Gear	4th Gear	5th Gear		
Hoist	15 LVF10 Optima	ft/min lbs	12 4,409	59 4,409	98 4,409	177 2,205	217 1,102	6 8,818	29 8,818	49 8,818	89 4,409	108 2,205	15	11
Trolley	3 DVF5	ft/min	135										3.0	2.2
Swing	RVF+ 51	rpm	0.80										5.5	4.0

Power Requirements: 480 V (+6% or -10%) 60 Hz measured at turn table.  
Amperage: 15 LVF10: 31 Amp (3 phase service with ground)

## Warning Systems

**Limit Moment Cut-Out** – Prevents a moment that is more than +10%.

## Warning

1. The operator must read and understand the owner's manual before operating this crane.
2. Positioning or operation of crane beyond areas shown is not intended or approved except where specified in owner's manual.
3. Practical working loads depend on supporting surface, wind, and other factors affecting stability such as hazardous surroundings, experience of personnel, and proper handling, all of which must be taken into account by the operator.

Igo 50

CraneCARE is Manitowoc Crane Group's complete service and support program. Incorporated into this program are service training, immediate parts availability, professional field service, and technical support and documentation. CraneCARE is available for every one of the thousands of cranes operating all over the world.

That's dedication and devotion that you won't get anywhere else.

That's **CraneCARE**.

## Service Training

A certified Potain service specialist works with you in your training facility or in the field to ensure that you know how to achieve maximum performance, dependability, and years from your cranes.

A reputable Potain Service technician comes to you to provide valuable training to all distributors on the crane's LMI system.

## Parts Availability

Genuine Potain replacement parts may be obtained through your MCG distributor on a regular basis.

## Field Service

Factory-trained service experts are always ready to help maintain your crane's peak performance.

## Technical Support

Potain's dealer network and factory personnel are available 24 hours a day, 7 days a week, 365 days a year to answer your technical questions and more.

7

For a worldwide listing of dealer locations, please consult our website at:

[www.manitowoccranegroup.com](http://www.manitowoccranegroup.com).

## Technical Documentation

Potain boasts an extensive, easy-to-understand library of documentation.

A complete set of Operator's parts and service manuals are included with each crane.

Additional copies are available through your Authorized Potain Distributor.

Igo 50

## Manitowoc Crane Group - Americas

Manitowoc, Wisconsin Facility  
Tel: [Int + 001] 920 684 6621  
Fax: [Int + 001] 920 683 6277  
Shady Grove, Pennsylvania Facility  
Tel: [Int + 001] 717 597 8121  
Fax: [Int + 001] 717 597 4062

## Manitowoc Crane Group - EMEA

Europe Middle East & Africa  
Tel: [Int + 33] (0) 4 72 18 20 20  
Fax: [Int + 33] (0) 4 72 18 20 00

## Manitowoc Crane Group - UK

Europe Middle East & Africa (Parts & Service)  
Tel: [Int + 44] (0) 191 565-6281  
Fax: [Int + 44] (0) 191 564-0442

## Manitowoc Crane Group - Germany

(Sales, Parts & Service)  
Tel: [Int + 49] (0) 2173 8909-0  
Fax: [Int + 49] (0) 2173 8909-30

## Manitowoc Crane Group - France

France & Africa (Sales, Parts & Service)  
Tel: [Int + 33] (0) 1 303-13150  
Fax: [Int + 33] (0) 1 303-86085

## Manitowoc Crane Group - Netherlands

(Sales, Parts & Service)  
Tel: [Int + 31] (0) 76 578 39 99  
Fax: [Int + 31] (0) 76 578 39 78

## Manitowoc Crane Group - Italy

Italy & Southern Europe (Sales, Parts & Service)  
Tel: [Int + 39] (0) 331 49 33 11  
Fax: [Int + 39] (0) 331 49 33 30

## Manitowoc Crane Group - Portugal

Portugal & Spain (Sales, Parts & Service)  
Tel: [Int + 351] (0) 22 968 08 89  
Fax: [Int + 351] (0) 22 968 08 97

## Manitowoc Crane Group - Singapore

Asia/Pacific excl China (Sales, Parts & Service)  
Tel: [Int + 65] 6861-7133  
Fax: [Int + 65] 6862-4040 / 4142

## Manitowoc Crane Group - Shanghai

China (Sales, Parts & Service)  
Tel: [Int + 86] (0) 21-64955555  
Fax: [Int + 86] (0) 21-64852038

## Manitowoc Crane Group - Beijing

China (Sales, Parts & Service)  
Tel: [Int + 86] (0) 10 646-71690  
Fax: [Int + 86] (0) 10 646-71691

## Manitowoc Crane Group - Middle East

(Sales)  
Tel: [Int + 971] (0) 4 348-4478  
Fax: [Int + 971] (0) 4 348-4478  
(Parts & Service)  
Tel: [Int + 973] (0) 9 660-899  
Fax: [Int + 973] (0) 2 707-740

Distributed By:

**Manitowoc**  
Crane Group



[www.manitowoccrane.com](http://www.manitowoccrane.com)



Constant improvement and engineering progress make it necessary that we reserve the right to make specification, equipment, and price changes without notice. Illustrations shown may include optional equipment and accessories, and may not include all standard equipment.