

LEAVITT

C R A N E S

NEED A LIFT?®



Sales / Rentals



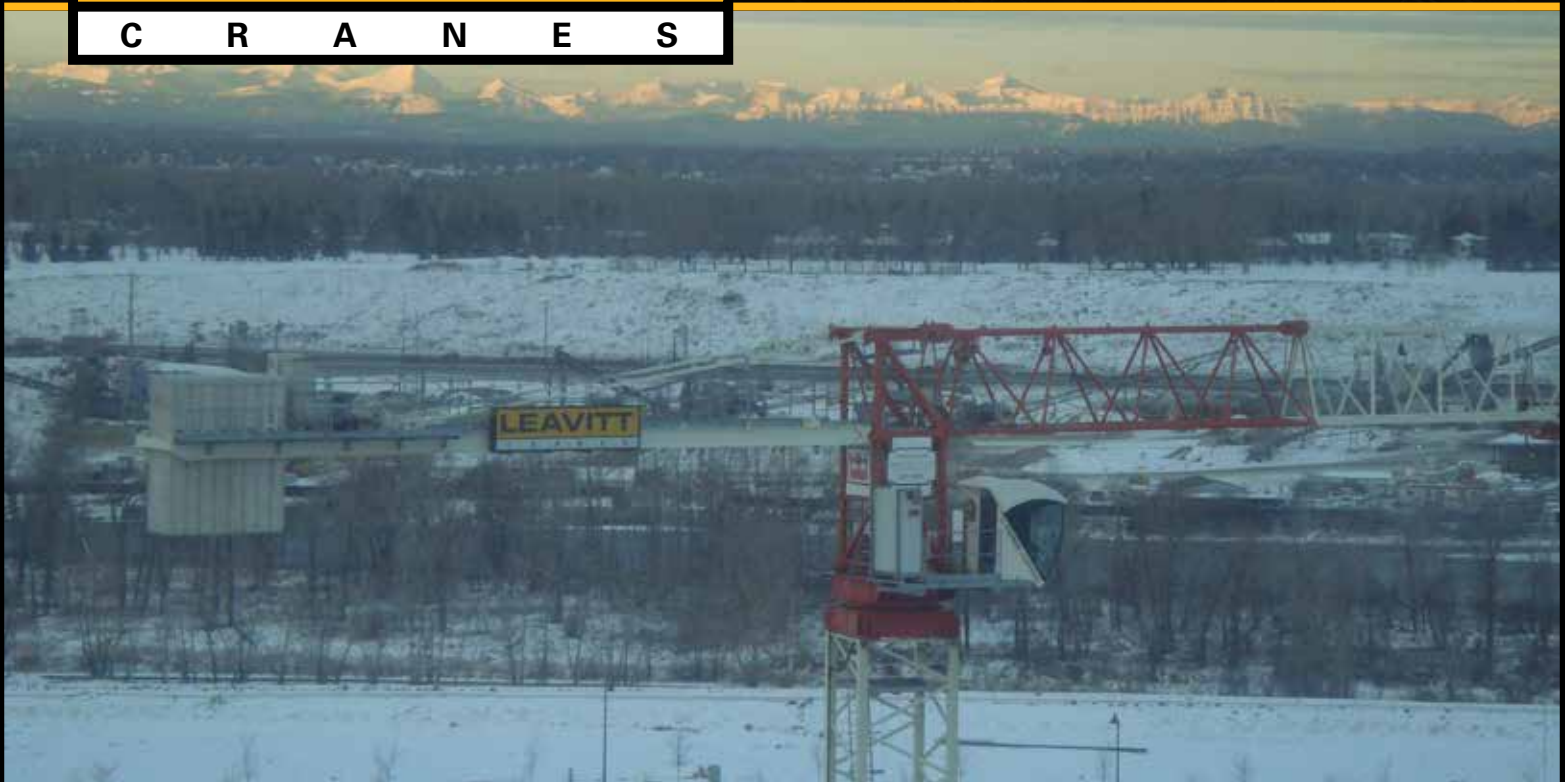
STACK IT | REACH IT | LIFT IT®

1-844-66-CRANE

www.leavittcranes.com

LEAVITT

C R A N E S



RENTALS

The majority of our cranes are less than three years old and offer state-of-the-art technology. With local servicing, you will be provided with optimal uptime and reliability. In all of our proposals, we offer a turn-key rental process, which would include the following with the rental: crane, base placing assistance, erection/dismantle assistance, preventative/routine maintenance, field service maintenance and repair, equipment transport, load testing and calibration.

SERVICE

Equipment trouble? Not on our watch! Our comprehensive preventative maintenance program will reduce issues and maintain your crane utilization at optimum levels. We have factory trained service technicians on hand who are able to offer mobile mechanic services in more locations than most dealerships. With factory training from a wide variety of manufacturers and a pool of shared technical knowledge collectively spanning over 80 years, we work as a team to provide customers with the best service in the industry. Whether it is a mini crawler, mobile, self-erect or tower crane, call us for a consultation and see how we can assist you in managing your fleet.

PARTS

Leavitt Cranes is your one stop shop for all of your crane parts needs. Whether you run a large fleet of tower cranes or own a single self-erect, we can take care of your parts needs. Our crane parts specialists support all makes and models of tower cranes, R/T cranes, self-erects, and mini crawlers. With Leavitt Cranes, you will be corresponding directly with our crane parts specialists who will provide you with consistent and reliable service in a time frame that works for you.

- Our parts professionals share the same sense of urgency as you and pride themselves on providing solutions for your toughest issues
- We are the OEM distributor for world class brands such as Terex, Smart Lift, Spydercrane, Jekko, Manitex and much more
- We carry one of the largest tower cranes parts inventories in North America, which increases uptime for you

OPERATOR ORIENTATION

Leavitt Cranes provides comprehensive private on-site crane orientation for customers in both Canada and the USA.

- We ensure that each employee receives a professional orientation in a consistent and unbiased manner
- We provide a customized course curriculum designed to meet the needs of your equipment and application
- We handle all administrative aspects of training, providing you with hard copies of test results and permanent records

NEED A LIFT?®



SELF ERECTING

Model	Freestand Hook Under Height (M/Ft)	Maximum Jib Length (M/Ft)	Capacity At Tip	Maximum Capacity with Full Jib	Site Power Req.	Generator Power Req.
CBR 36	23M/ 75.44'	36M/ 118.1'	2,205 lb	8,818 lbs. @ 9.7M/ 31.8'	480 V 3 phase	20 kVA
CBR 40	22.5M/ 73.8'	40M/ 131.2'	2,200 lb	8,800 lbs. @ 13M/ 42.6'	480 V 3 phase	20 kVA
IGO 50	23.2M/ 76.1'	40M/ 131.2'	2,524 lb	8,818 lbs. @ 13M/ 42.6'	480 V 3 phase	28 kVA
HDT 80	34.2M/ 112.2'	45M/ 147.6'	2,756 lb	13,228 lbs. @ 13.3M/ 43.8'	480 V 3 phase	37 kVA
T 85	36M/ 118.1'	45M/ 147.6'	3,080 lb	13,228 lbs. @ 13.7M/ 45'	480 V 3 phase	25 kVA
T 130	36.2M/ 118.7'	50M/ 164'	3,080 lb	17,637 lbs. @ 13.1M/ 43'	480 V 3 phase	35 kVA

LUFFING TOWER

Model	Freestand Hook Under Height (M/Ft)	Maximum Jib Length (M/Ft)	Capacity At Tip	Maximum Capacity with Full Jib	Site Power Req.	Generator Power Req.
CTL 140-10	50.3M/165.2'	50M/164'	3,960 lb	22,000 lbs @ 57.1' with 147.6' jib	460 V 3 phase	104 kVA
CTL 180-16	84.3M/276.8'	55M/180.4'	4,400 lb	35,200 lbs @ 56.1' with 131.2' jib	460 V 3 phase	142 kVA
CTL 260-18	84.3M/276.8'	55M/180.4'	6,820 lb	39,600 lbs @ 60.7' with 131.2' jib	460 V 3 phase	165 kVA
CTL 400-24	72.4M/237.5'	60M/196.8'	10,780 lb	52,800 lbs @ 62' with 131.2' jib	460 V 3 phase	258 kVA
CTL 430-24	78.4M/257.2'	60M/196.8'	12,100 lb	52,800 lbs @ 62.3' with 164' jib	460 V 3 phase	224 kVA
CTL 630-32	72.4M/237.5'	65M/213.2'	14,740 lb	70,400 lbs @ 71.8' with 164' jib	460 V 3 phase	325 kVA

LEAVITT

C R A N E S



HAMMER HEAD

Model	Freestand Hook Under Height (M/Ft)	Maximum Jib Length (M/Ft)	Capacity At Tip	Maximum Capacity with Full Jib	Site Power Req.	Generator Power Req.
PEINER 415-20	65.5M/ 214.9'	80M/ 263.0'	5,071 lb	44,093 lbs @ 15M/ 49.5'	480 V 3 phase	132 kVA
PEINER 575-32	70.9M/ 232.6'	80M/ 263.0'	8,598 lb	70,548 lbs @ 13.9M/ 45.6'	480 V 3 phase	170 kVA



FLAT TOP TOWER

Model	Freestand Hook Under Height (M/Ft)	Maximum Jib Length (M/Ft)	Capacity At Tip	Maximum Capacity with Full Jib	Site Power Req.	Generator Power Req.
CTT 121-5	52M/ 171.7'	55M/ 180.4'	3,850 lb	11,000 lbs @ 21.2M/ 69.6'	460 V 3 phase	42 kVA
CTT 181-8	67.2M/ 220.5'	65M/ 213.3'	4,189 lb	17,637 lbs @ 18.7M/ 61.3'	460 V 3 phase	70 kVA
CTT 182-8	67M/ 220.0'	65M/ 213.3'	4,409 lb	17,637 lbs @ 18.3M/ 60.3'	460 V 3 phase	59 kVA
CTT 331-16	92.3M/ 303.0'	75M/ 246.0'	6,380 lb	35,274 lbs @ 17.2M/ 56.7'	460 V 3 phase	114/138 kVA
CTT 332-16	98.3M/ 322.7'	75M/ 246.0'	6,614 lb	35,274 lbs @ 17.1M/ 56.2'	460 V 3 phase	110 kVA
CTT 561-20	85M/ 279.5'	85M/ 276.0'	4,840 lb	44,000 lbs @ 14.8M/ 48.7'	460 V 3 phase	154/216 kVA
CTT 561-32	91M/ 299.1'	85M/ 276.0'	3,300 lb	70,549 lbs @ 10M/ 32.9'	460 V 3 phase	216 kVA



NEED A LIFT?®

SPYDERCRANE



SPYDERCRANE					
Model	Maximum Capacity	Maximum Lift Height	Folded Dimensions (WxHxL)	Maximum Working Radius	Weight
URW 295	6450 lbs @ 4.6'	29'	2.0' x 4.6' x 9.0'	28'	4,100 lbs
URW 376	6680 lbs @ 8.2'	49'	4.24' x 5.91' x 14.24'	47.40'	8,488 lbs
URW 547	8,920 lbs @ 8'	59.7'	4.5' x 6.5' x 16.2'	58.5'	11,070 lbs
URW706	13,200 lbs @ 10.0'	75'	5.47' x 7.16' x 18.4'	61'	17,590 lbs



LEAVITT

C R A N E S



JEK KO MINI CRAWLER

Model	Maximum Capacity	Maximum Jib Length (M/Ft)	Folded Dimensions (WxHxL)	Maximum Working Radius (M/Ft)	Weight
MPK 20	3,960 lbs	4M/ 13.09'	8.75' x 3.13' x 6.42'	2.74M/ 9'	4,300 lbs
SPX 312	2,640 lbs	7.3M/ 24.11'	9.17' x 2.58' x 5.25'	7.3M/ 24'	3,968 lbs
SPX 424	5,280 lbs	8.2M/ 27.11'	10.37' x 2.55' x 6.15'	7.5M/ 24.9'	4,906 lbs
SPX 527	5,940 lbs	11.9M/ 39.08'	10.25 x 3.6' x 6.42'	11M/ 36.09'	7,937 lbs
SPX 1040	8,800 lbs	14.3M/ 47.07'	17.68' x 4.76' x 6.68'	13.1M/ 43.04'	14,022 lbs
SPX 1275	16,500 lbs	17.7M/ 58.01'	18.79' x 4.76' x 6.69'	16.1M/ 53.02'	18,298 lbs



NEED A LIFT?®



JEKKO MINI CRAWLER ATTACHMENTS

Model	Description	Lift Capacity	Power Source
GVI-4L-12V	4 pads in line	794 lbs	12 Volt Battery
GVI-4+2LX-12V	4 pads in cross	794 lbs	12 Volt Battery
GVI-6+6-12V	6 pads plus 6 extensions	1,323 lbs	12 Volt Battery



LEAVITT

C R A N E S



SmartLift

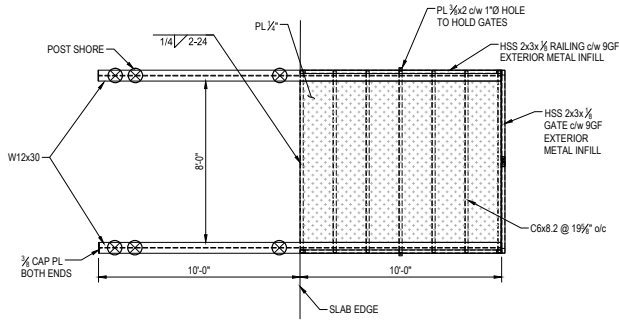


SMARTLIFT GLASS HANDLER

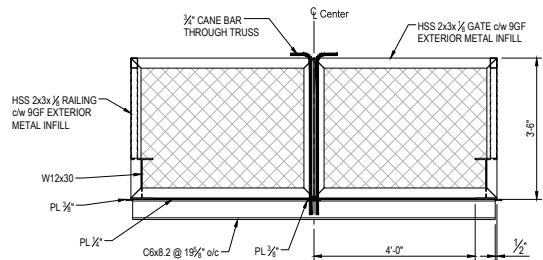
Model	Description	Lift Capacity	Lift Height
SL 380 Midi	Indoor Use	837 lbs	8.77'
SL 608 Outdoor	Outdoor rough terrain	1,340 lbs	11.49'
SL 780 Outdoor Giant	Outdoor rough terrain	1,818 lbs	14.45'



NEED A LIFT?®



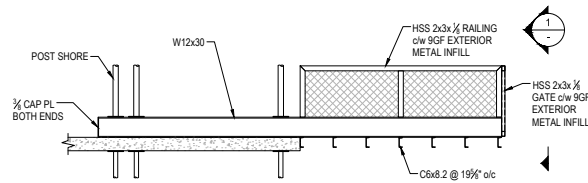
THRUST OUT PLATFORM - PLAN
1/4"=1'-0"



1 VIEW
1/2"=1'-0"

NOTES:

1. WORK SAFE BC REGULATIONS REQUIRE A SITE SPECIFIC RESHORING DRAWING FOR PLATFORM USE AT EACH SITE.
2. USE OF PLATFORM TO COMPLY WITH WORKSAFE BC REGULATIONS
3. MAX CAPACITY 8,000 lbs
4. PLATFORM WEIGHT APPROXIMATELY 2,650 lbs
5. DUNNAGE TO BE USED AS NECESSARY TO ENSURE THAT LOAD CONCENTRATION DOES NOT EXCEED 250 psf.
6. PLATFORM DESIGNED FOR USE AT ANY FLOOR. SEE RESHORING REQUIREMENTS SHOWN ON DRAWING SPP-2
7. PLATFORM TO BE PRIMED AND PAINTED
8. ALL WELDS TO BE 3/8" (L.N.C.) - CSA W59
9. ALL MATERIAL TO CONFORM TO:
ROLLED SECTIONS: CSA G40.21 300W
PLATES AND BARS: CSA G40.21 260W



THRUST OUT PLATFORM - ELEVATION
1/4"=1'-0"

THRUST OUT PLATFORM

Max Capacity	Width	Length	Height	Weight
8,000 lbs	8'	20' / 10' Work Area	3.5'	2,650 lbs



LEAVITT

C R A N E S

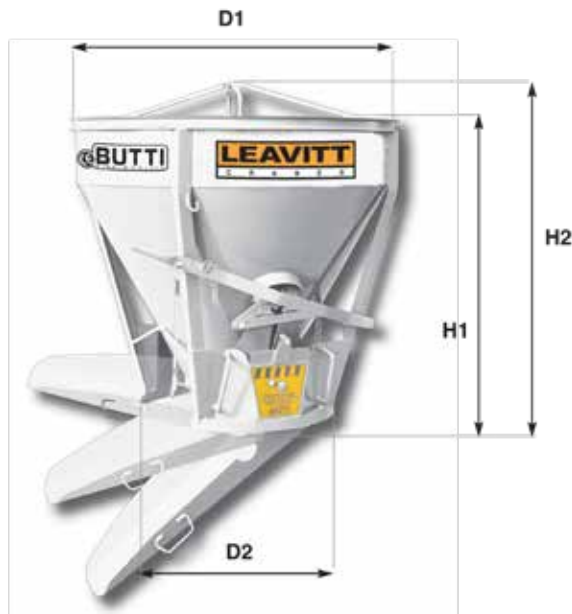


SELF-DUMPING GARBAGE BIN

Model	Capacity Ltrs/ Cubic Meters/ Cubic Yards	H1	H2	L Ext.	P Ext.	Weight kg / lb	Max Capacity kg / lb
238	1,000/1.0/1.3	28.74"	61.02"	52.36"	59.06"	199 / 440	1,650 / 3,640
239	1,500/1.5/1.96	33.07"	53.74"	54.33"	72.83"	290 / 640	2,475 / 5,460
239A	2,000/2.0/2.61	33.07"	56.29"	66.14"	80.12"	460 / 1,014	3,300 / 7,275
239B	3,000/3.0/3.92	37.79"	64.37"	78.74"	87.99"	660 / 1,455	4,950 / 10,915



NEED A LIFT?®



CONCRETE BUCKETS WITH SIDECHUTE

Model	Capacity Ltrs/ Cubic Meters/Cubic Yards	H1	H2	D1	D2	Weight kg / lb	Max Capacity kg / lb
218	1,000/1.0/1.3	54.33"	61.42"	52.76"	38.58"	235 / 520	2,200 / 4,850
219	1,500/1.5/1.96	57.48"	65.35"	65.75"	38.58"	320 / 705	3,300 / 7,275
219X20	2,000/2.0/2.61	67.32"	75.2"	65.75"	38.58"	350 / 772	4,400 / 9,700

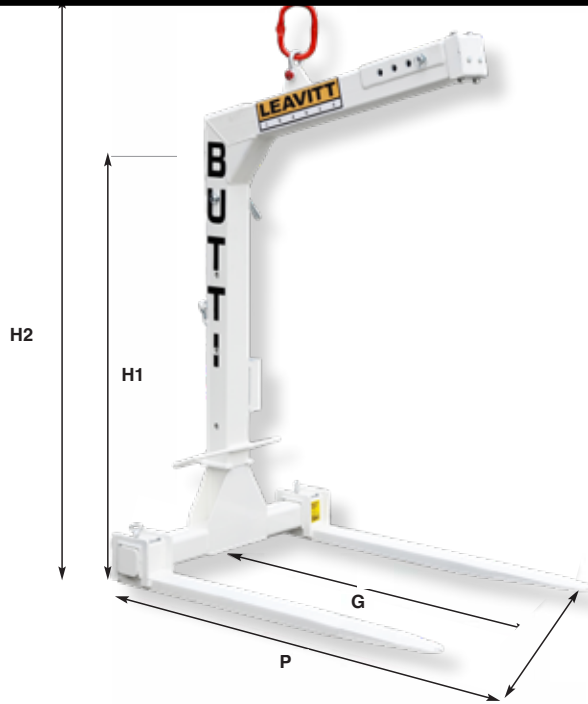
LAYDOWN CONCRETE BUCKET

Model	Capacity Ltrs/ Cubic Meters/ Cubic Yards	H	Weight kg / lb	Max Capacity kg / lb
308CSVU	1,500/1.5/1.96	43.31"	450 / 992	3,300 / 7,275
309CSVU	2,000/2.0/2.61	47.24"	510 / 1,125	4,400 / 9,710



LEAVITT

C R A N E S



CRANE / HIAB / MULTIPURPOSE SELF-LEVELING FORKS*

Model	Capacity kg / lb	H1	H2	G	L	P	Weight kg / lb
681F252U	2,500/5,500	54.33"/87.8"	77.95"/ 111.42"	47.24"	39.37"	54.33"	215 / 474

*For additional sizes contact your local representative.

LIFTING BASKET

Model	Capacity kg / lb	H1	H2	L	P	Bottom Weight kg / lb	Roof Weight kg / lb	EZ test Weight kg / lb
367X-2 Person	280 / 620	53.94"	92.52"	39.37"	55.12"	230 / 507	105 / 232	350 / 770
367X-4 Person	550 / 1,212	53.94"	92.52"	48.82"	88.98"	410 / 903	210 / 463	690 / 1,520



NEED A LIFT?®



BMC® **BRODERSON**
Manufacturing Corp.



CARRY DECK CRANES

Model	Lifting Capacity	Max Tip Height (with Boom Extension)	Height	Width
IC-40	9,000 lbs	33' 6"	6' 8"	5' 4"
IC-80	18,000 lbs	46'	7' 3"	6' 6"
IC-100	20,000 lbs	59' 4"	7' 5"	6' 6"
IC-200	30,000 lbs	73'	7' 11"	7' 10.5"
IC-250	36,000 lbs	79' 6"	7' 11"	7' 10"
IC-400	50,000 lbs	95' 7"	9' 11"	8' 6"



ROUGH TERRAIN CARRY DECK CRANES

Model	Lifting Capacity	Max Tip Height (with Boom Extension)	Height	Width
RT-300	30,000 lbs	87' 11"	11' 2"	8' 2"
RT-400	40,000 lbs	98'	11' 2"	8' 5"



LEAVITT

C R A N E S

OPERATOR ORIENTATION



CARRY DECK CRANE SAFETY TRAINING

Gain practical, hands on experience with carry deck cranes in this comprehensive training course.

This course is designed to give operators a solid understanding in health and safety standards, preventative maintenance and proper procedures for the safe operation of carry deck cranes. Consisting of three components, classroom theory, a written exam and practical hands on experience, course content is delivered through multimedia presentations and interactive discussions. Operators are given workbooks and handouts that reinforce key learning objectives after training ends.



OVERHEAD CRANE TRAINING

Covering everything from safety regulations to load control techniques.

This course gives equipment operators a solid foundation in health and safety standards, preventative maintenance, and the proper procedures for safely operating overhead cranes. Delivered through multimedia presentations and interactive discussions, course content is reinforced through operator workbooks and handouts. Our overhead training courses have three components, classroom theory, a written exam and practical skills assessment including hands on experience with your overhead crane.



TRUCK MOUNTED & MOBILE CRANE SAFETY

Customized for operators running truck mounted cranes.

Leavitt Cranes' mobile crane safety course is geared towards operators of truck mounted, boom truck and stiff boom truck crane operators. It is designed to provide mobile crane operators with a solid foundation in health and safety regulations, preventative maintenance and proper operating procedures for the safe operation of mobile cranes.



OPERATOR ORIENTATION



PRATICAL RIGGING

Essential training for all crane operators.

Delivered through a mix of multimedia presentations and interactive discussions, this Leavitt Cranes course can be taken as a 'theory awareness' course or as full rigging training complete with practical assessment. Operators must use compliant rigging gear and hoists and all gear must pass inspection prior to this course starting. In order to complete the practical assessment a hoist operator will be required.



OSSA FALL PROTECTION TRAINING

Developed by the Fall Protection Group Inc.

This End User Fall Protection Program (#6116) is developed by Fall Protection Group Inc., a leader in North American Fall Safety. Fall Protection Group Inc. is an OSHA accredited fall protection training provider and provides end users with OSHA accredited certification. Our instructors are trained and certified by fall protection group inc. to deliver, on fall protection group's behalf, this end user fall protection program.



NON-OSSA FALL PROTECTION TRAINING

Geared towards industrial / commercial end users.

This industrial / commercial end-user fall protection program has been created by Fall Protection Group Inc., a leader in North American fall protection training. This program is designed to address the fall safety needs for any industrial and commercial worker working at any height, but who is not engaged in the Oil Sands sites. The goal of this fall protection program is to ensure that recipients understand the use of fall protection as it relates to the work you perform at heights.

LEAVITT

C R A N E S



LEAVITT MACHINERY



360° ROTATING TELESCOPIC HANDLER

Capacity	Lift Height	Capacity @ Full Height	Max Reach	Capacity @ Full Reach	Outside Turning Radius	Weight
11,000 lb	67' 6"	5,500 lb	59' 3"	1,320 lb	15' wide / 2,200 lb cap.	Yes
8,800 lb	80' 8"	3,850 lb	60' 6"	880 lb	15' wide / 2,200 lb cap.	Yes

Combines three machines in one. Available attachments include jib, winch, man basket and forks. Quick attach makes it easy and quick to switch between attachments.



TELEHANDLERS

Capacity	Lift Height	Capacity @ Full Height	Max Reach	Capacity @ Full Reach	Outside Turning Radius	Weight
5,000 lb	18' 4"	4,400 lb	10' 11"	1,850 lb	126"	10,800 lb
6,000 lb	41' 11"	6,000 lb	27' 11"	1,400 lb	168"	24,280 lb
8,000 lb	41' 11"	6,000 lb	26' 7"	1,800 lb	156"	26,230 lb
10,000 lb	42' 1"	6,000 lb	26' 6"	6,000 lb	164"	26,883 lb
10,000 lb	53' 2"	4,000 lb	39'	3,000 lb	164"	27,200 lb
12,000 lb	55'	5,000 lb	42'	3,500 lb	168"	35,100 lb
20,000 lb	45'	13,500 lb	27' 5"	8,000 lb	190"	44,750 lb

For information on 30,000 - 45,000 lb telehandlers please contact your local sales representative.

NEED A LIFT?®



LEAVITT MACHINERY



GENERATORS

Prime Power	Single Phase	Three Phase	Trailer or Skid Mounted	Fuel Type
3-6 kW	120 V or 240 V	N/A	Skid Only	Gas
20-25 kW	120 V, 240 V, 277 V switchable	208 V, 240 V, 416 V, 480 V switchable	Both available	Diesel
30-45 kW	120 V, 240 V, 277 V switchable	208 V, 240 V, 416 V, 480 V switchable	Both available	Diesel
65-75 kW	120 V, 240 V, 277 V switchable	208 V, 240 V, 416 V, 480 V switchable	Both available	Diesel
85-100 kW	120 V, 240 V, 277 V switchable	208 V, 240 V, 416 V, 480 V switchable	Both available	Diesel
125 kW	120 V, 240 V, 277 V switchable	208 V, 240 V, 416 V, 480 V switchable	Both available	Diesel
150 kW	120 V, 240 V, 277 V switchable	208 V, 240 V, 416 V, 480 V switchable	Both available	Diesel
400 kW	120 V, 240 V, 277 V switchable	208 V, 240 V, 416 V, 480 V switchable	Both available	Diesel



LIGHT TOWERS

Power	Single Phase	Lighting Coverage	Inside Light Storage	Fuel Type	# of Outlets
6 kW	120 V or 240 V	5-7 acres	Available	Diesel	2
8 kW	120 V or 240 V	5-7 acres	Available	Diesel	3
20 kW	120 V or 240 V	5-7 acres	Available	Diesel	6

LEAVITT

C R A N E S



LEAVITT MACHINERY



ARTICULATING / KNUCKLE BOOM

Platform Height	Working Height	Horizontal Outreach	Up & Over Height	Platform Capacity	Weight
45'	51'	24' 6"	24' 2"	500 lb	16,500 lb
60' 7"	66' 7"	38' 9"	26' 7"	500 lb	23,000 lb
80'	86'	51' 10"	32' 1"	500 lb	34,300 lb
125'	131'	63' 2"	60' 6"	1,000 lb restricted	44,000 lb



STRAIGHT BOOM

Platform Height	Working Height	Horizontal Outreach	Platform Capacity	Basket Size	Weight
46'	52'	40' 6"	500 lb	36" X 96"	15,850 lb
60' 5"	66'	50' 5"	500 lb	36" X 96"	23,900 lb
66' 8"	72' 8"	56' 9"	500 lb	36" X 96"	27,600 lb
86'	92'	75'	750 lb / restricted	36" X 96"	36,400 lb
120'	126'	75'	1,000 lb / restricted	36" X 96"	40,900 lb
135'	141'	80'	1,000 lb / restricted	36" X 96"	45,000 lb
150"	156'	79'3"	1,000 lb / restricted	36" x 96"	48,000 lb

ADDITIONAL OPTIONS AVAILABLE: POSITIVE AIR, FOAM FILLED TIRES, FIRE EXTINGUISHER, GLAZING PACKAGES AND PIPE RACKS.

NEED A LIFT?®



LEAVITT MACHINERY



ROUGH TERRAIN

Platform Height	Working Height	Width x Length	Platform Capacity	Platform Size	Roll Out Platform	Weight
26'	32'	5' 9" x 8' 9"	1,250 lb	65" x 102"	48"	7,300 lb
33'	39'	7' 10" x 12' 8"	2,250 lb	86" x 150"	48"	11,910 lb
43'	49'	7' 10" x 12' 8"	1,500 lb	86" x 150"	48"	15,300 lb
50'	56'	92" x 176"	2,000 lb	74" x 160"	60"	14,970 lb



ELECTRIC

Platform Height	Working Height	Width x Length	Platform Capacity	Platform Size	Roll Out Platform	Weight
18' 9"	24' 9"	30" x 73.5"	500 lb	30" x 73.5"	35.5"	2,685 lb
20'	26'	30" x 90.5"	800 lb	30" x 90.5"	35.5"	3,830 lb
25' 6"	31' 6"	30" x 90.5"	500 / 800 lb	30" x 90.5"	35.5"	4,815 lb
26'	32'	46" x 98.5"	1,000 lb	44" x 98.5"	50"	4,945 lb
32'	39'	46" x 98.5"	700 / 1,000 lb	44" x 98.5"	50"	4,945 lb



LEAVITT

C R A N E S

NEED A LIFT?®

Cranes



Mini Crawlers

SPYDERCRANE



Attachments



Proudly Serving North America

BRITISH COLUMBIA

Abbotsford
30691 Simpson Road
Abbotsford, BC V2T 6C7
Ph: 1-844-662-7263

ALBERTA

Calgary
10 - 55 Technology Way, SE
Calgary, AB T3S 0B5
Ph: 1-844-662-7263

WASHINGTON

Tacoma
1140 Thorne Road
Tacoma, WA 98421
Ph: 1-844-662-7263

Mount Vernon
3610 Cedardale Lane, Suite D
Mount Vernon, WA 98274
Ph: 1-844-662-7263

Authorized dealer in certain regions only.

Sales

Rentals

Service

Parts

STACK IT | REACH IT | LIFT IT®