



Technical Data

Specification & Capacities



SPX312

S.N: _____



CP: 7,6kW/10,4Hp



C+: 4,0kW/5,5Hp



7'02" – 24'11"



2640lb



B30.5

[ft] [lb]

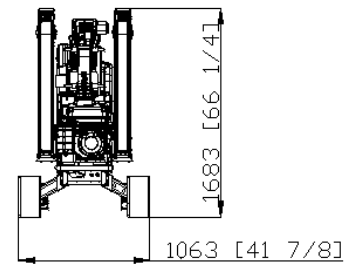
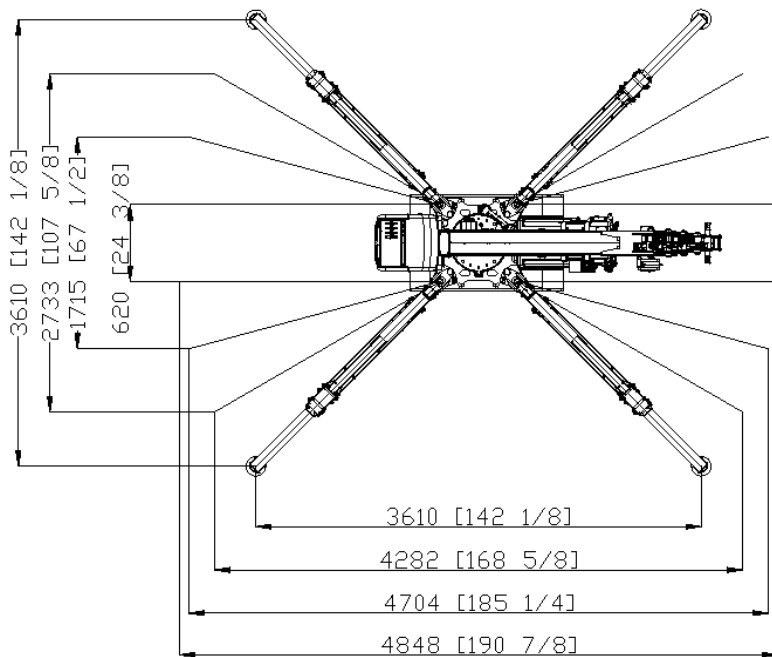
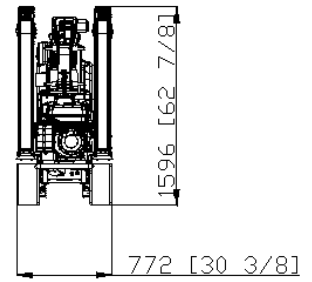
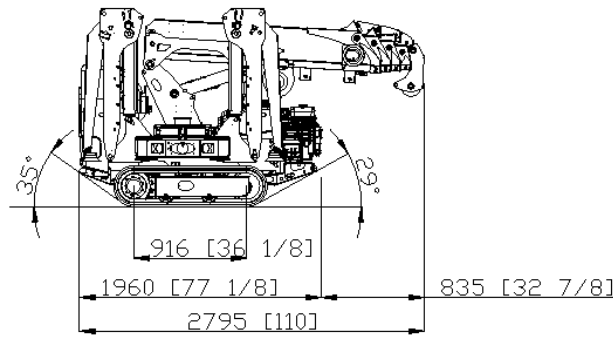




Via Campardone, 7
31014 Colle Umberto – Italy
Tel. +39 0438 434443
Mail: info@jekko.it
Web: www.jekko.it

Date	Dec. 10 th 2015
REV.	13

SPX312 - OVERALL DIMENSIONS



		lb
		3968
		0
Tot.		3968

	mph	0,62
	20°	
	lb/ft ²	901
	lb	4080

	0°/75°	24 s
	330°	1,0 rpm
	ft 7'02"-24'09"	40 s

	YAMAHA MZ 360		7,6kW 10,4Hp	
			GASOLINE	
			gal	1,59
	n°4 6V 240Ah		24V-3F 4,0kW 5,5Hp	

**HOIST PERFORMANCE**

Layer	Max Line Pull	Normal Line Speed	High Line Speed
	lb	ft/min	ft/min
1	1620 (*)	40.0	84.3
2	1510 (*)	43.6	91.8
3	1400 (*)	45.9	96.8
4	1320	49.5	104.0

(*) LMI limited at 1320 [lb]

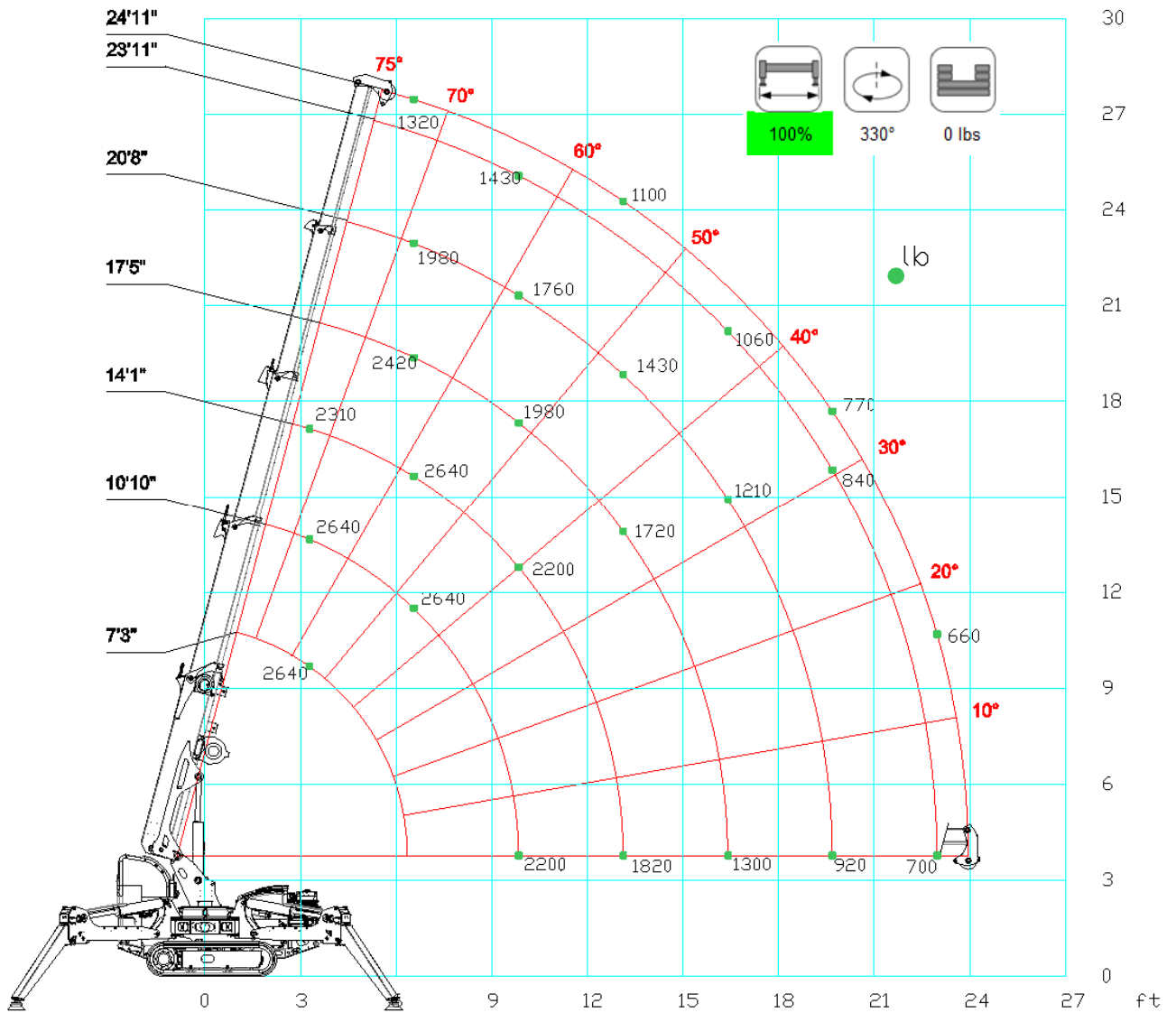
Wire Rope	Diameter	Tot. Length	Max Load
	in	ft	lb
A4L 19x7 right lang lay	1/4"	210	7920

HOOK BLOCK

LOAD	No. of	
	Sheaves	Lines
2646	1	2
1323	-	1



SPX312 MAIN BOOM



[ft] [lb]							
		100%	330°	0 lbs			
	07'02"	10'10"	14'01"	17'05"	20'08"	23'11"	24'11"
03'03"	2640	2640	2310				
06'07"		2640	2640	2420	1980	1430	1320
09'10"		2200	2200	1980	1760	1430	1320
13'01"			1826	1716	1430	1210	1100
16'04"				1298	1210	1056	880
19'08"					924	836	770
23'00"						704	660
23'11"							660

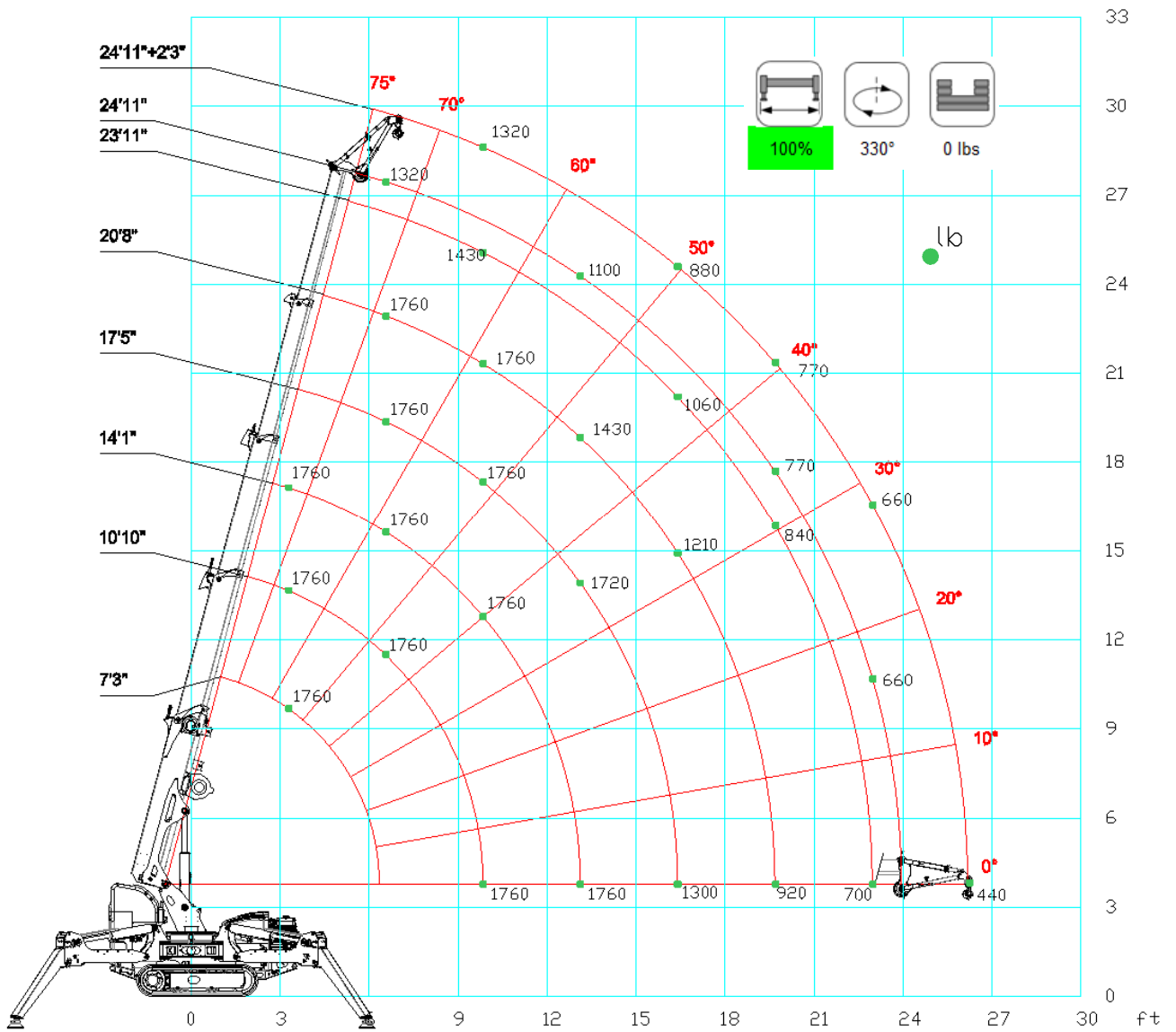
SP X0312.00.02.000.1.05.15.A

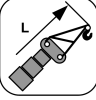
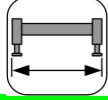
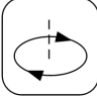
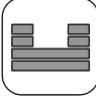

[ft] [lb]							
		50%	330°	0 lbs			
	07'02"	10'10"	14'01"	17'05"	20'08"	23'11"	24'11"
03'03"	2640	2640	2310				
06'07"		2310	2310	2090	1760	1210	1100
09'10"		1980	1980	1760	1584	1210	1100
13'01"			1144	1078	858	726	660
16'04"				748	704	594	484
19'08"					550	484	440
23'00"						396	396
23'11"							330

SP X0312.00.01.000.1.05.15.A


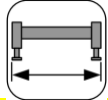
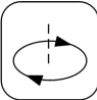




SPX312 + JIB800GX



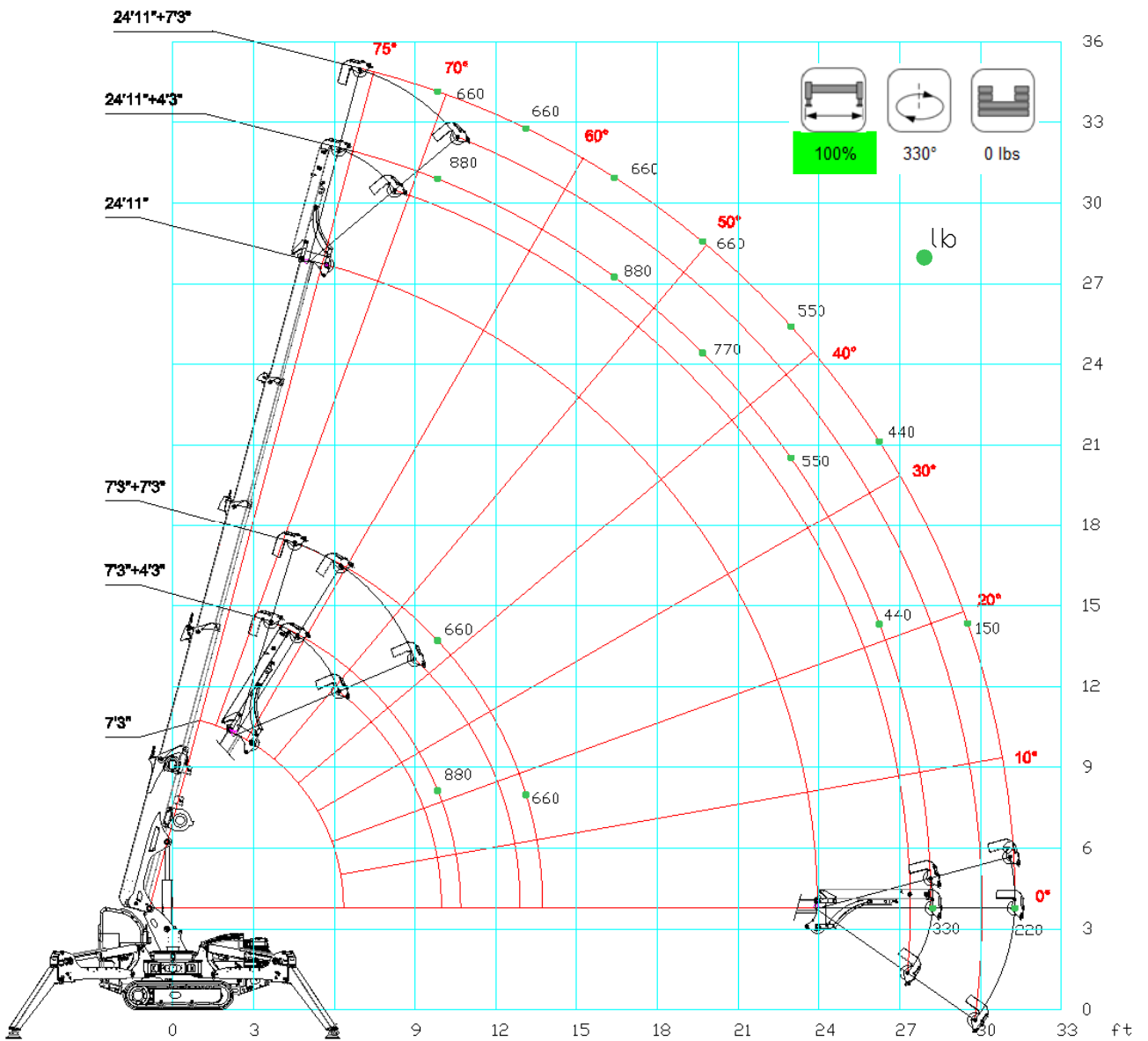
[ft] [lb]							
	JIB800GX	100%	330°	0 lbs			
	09'06"	10'10"	14'01"	17'05"	20'08"	23'11"	27'02"
03'03"	1760	1760	1760				
06'07"		1760	1760	1760	1760	1430	1320
09'10"		1760	1760	1760	1760	1430	1320
13'01"			1760	1716	1430	1210	1100
16'04"				1298	1210	1056	880
19'08"					924	836	770
23'00"						704	660
26'03"							440

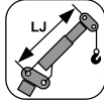
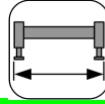
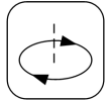
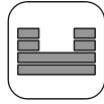
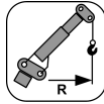
SPX0312.00.02.312.2.05.15.A

[ft] [lb]							
	JIB800GX	50%	330°	0 lbs			
	09'06"	10'10"	14'01"	17'05"	20'08"	23'11"	27'02"
03'03"	1760	1760	1760				
06'07"		1760	1760	1760	1760	1210	1100
09'10"		1760	1760	1760	1584	1210	1100
13'01"			1144	1078	858	726	660
16'04"				748	704	594	484
19'08"					550	484	440
23'00"						396	396
26'03"							220


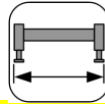
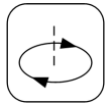
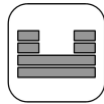
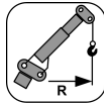
SPX0312.00.01312.2.05.15.A

SPX312 + JIB400.1MX



[ft] [lb]				
	JIB400.1MX	100%	330°	0 lbs
	04'03"	07'03"		
06'07"	880	660		
09'10"	880	660		
13'01"	880	660		
16'04"	880	660		
19'08"	770	660		
23'00"	550	550		
26'03"	440	440		
28'02"	330	330		
31'06"		220		

SPX0312.00.02.100.105.15.A

[ft] [lb]				
	JIB400.1MX	50%	330°	0 lbs
	04'03"	07'03"		
06'07"	880	660		
09'10"	880	660		
13'01"	880	660		
16'04"	660	550		
19'08"	440	440		
23'00"	220	220		

SPX0312.00.01.100.105.15.A

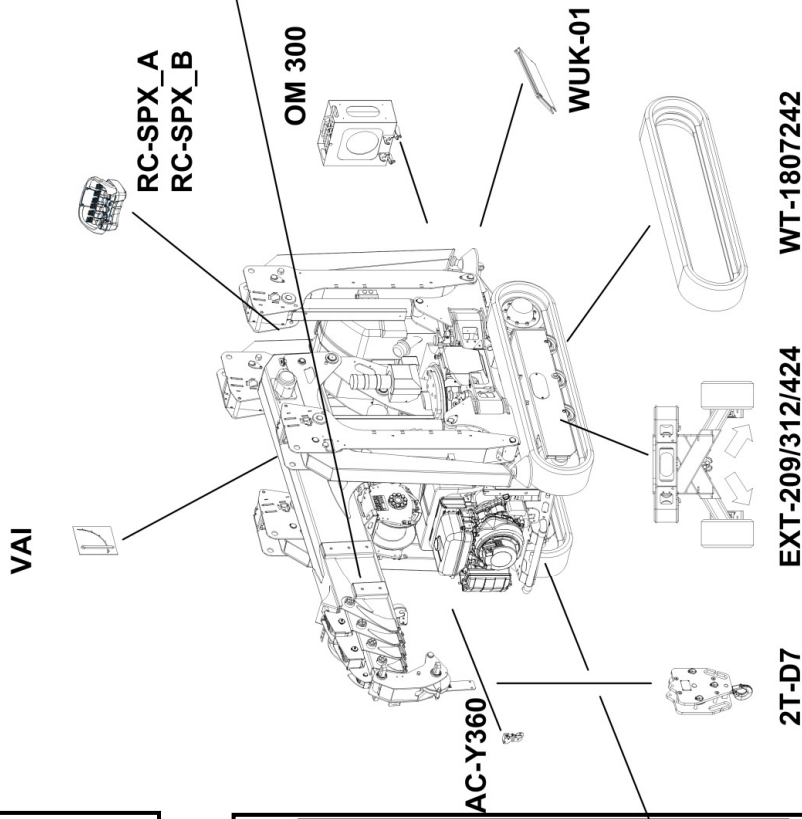
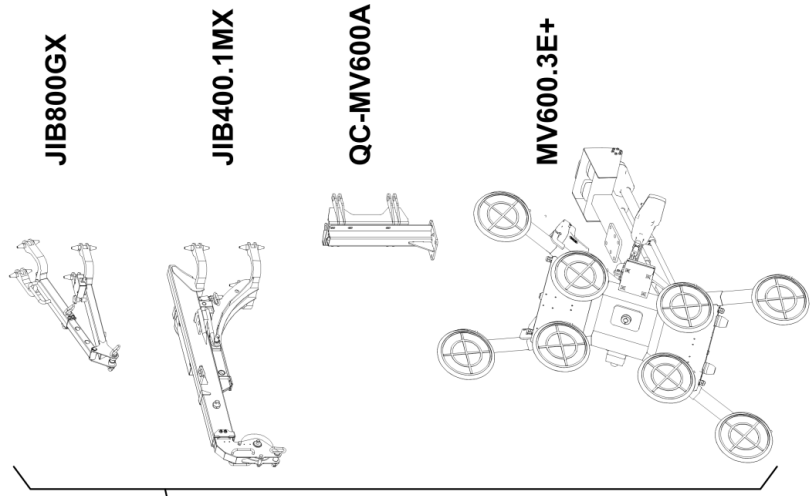
[ft] [lb]					DRAFT			
	MV600.3E+	100%	360°	440 lb				
	10' 02"	10' 10"	14' 01"	17' 05"	20' 08"	23' 11"	27' 03"	28' 03"
3' 03"	1320	1320						
6' 07"	1320	1320	1320	1320	1320			
9' 10"		1320	1320	1320	1320	1320	1320	1210
13' 01"			1320	1320	1320	1320	1100	990
16' 05"				1100	1056	1012	924	792
19' 08"					704	660	616	550
23' 00"						440	396	352
26' 03"							286	264
27' 03"								220

SPX0312.04.02.440.0.12.15.A

[ft] [lb]					DRAFT			
	MV600.3E+	50%	360°	440 lb				
	10' 02"	10' 10"	14' 01"	17' 05"	20' 08"	23' 11"	27' 03"	28' 03"
3' 03"	1320	1320						
6' 07"	1320	1320	1320	1320	1100			
9' 10"		1320	1100	990	924	880	836	792
13' 01"			660	616	528	440	396	308
16' 05"				330	308	264	220	176

SPX0312.04.01.440.0.12.15.A

ACCESSORIES



SPX312C+ ONLY

BC-220V30A

BC-110V30A

PP400-4DX

PP220-2DX

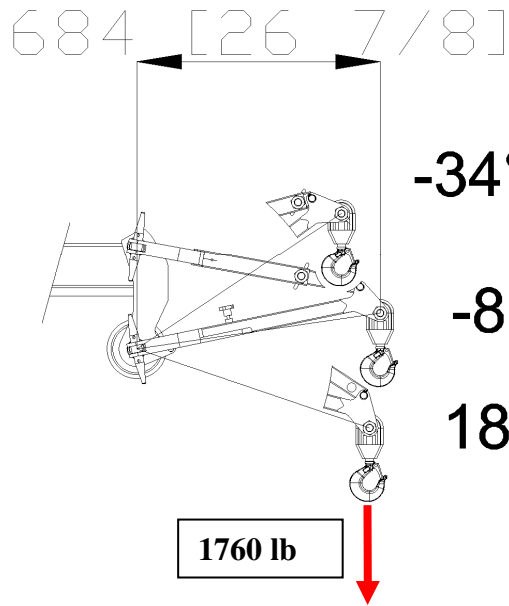
PP220-4DX

SPX312CP ONLY

	STD	PC-01	PC-11
Boom, Covers & Outriggers	<input type="checkbox"/> RAL2004	<input type="checkbox"/> RAL_____	<input type="checkbox"/> RAL_____
Chassis, Frames & Tanks	<input type="checkbox"/> RAL7001	<input type="checkbox"/> RAL7001	<input type="checkbox"/> RAL_____

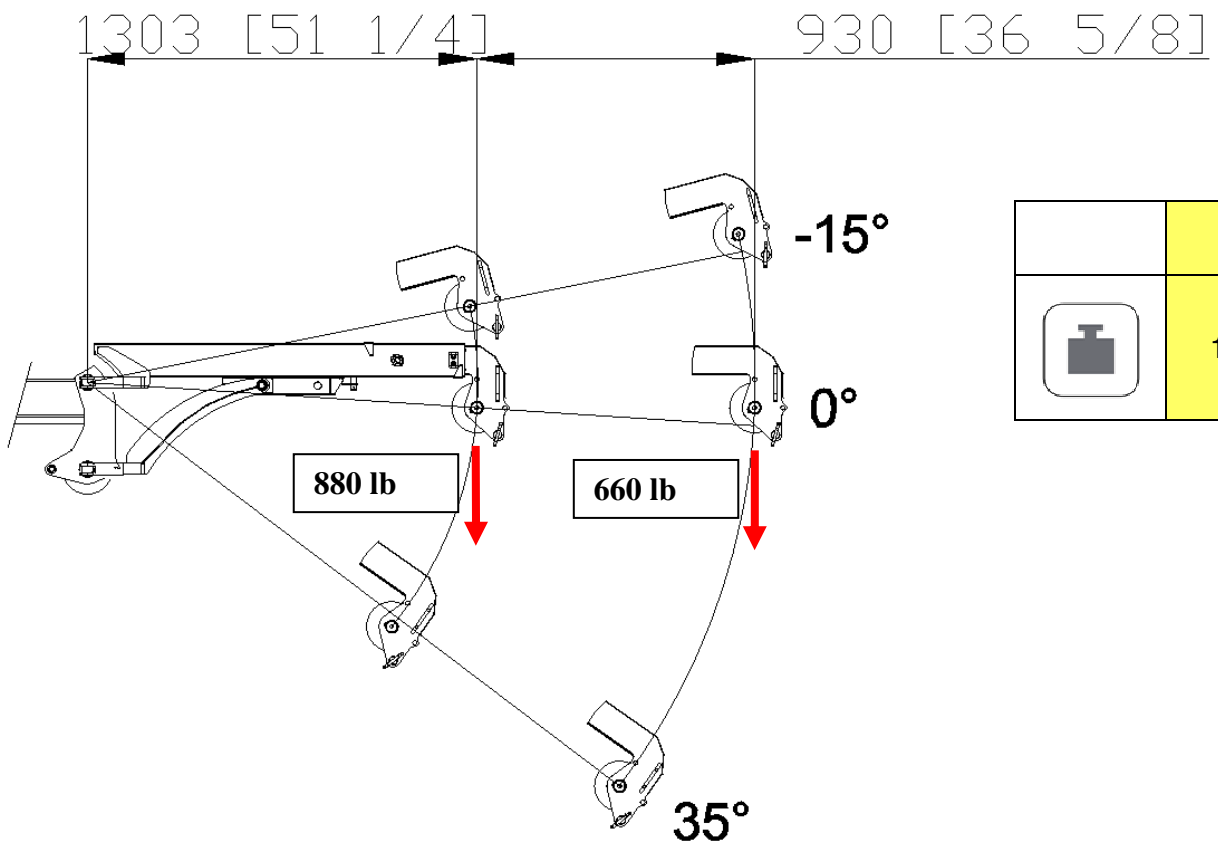
ACCESSORIES FEATURES

JIB800GX



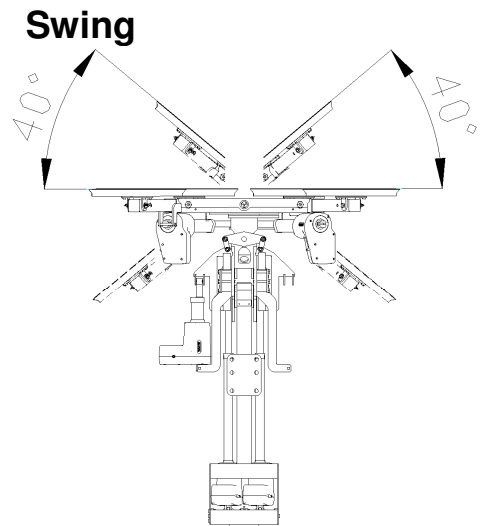
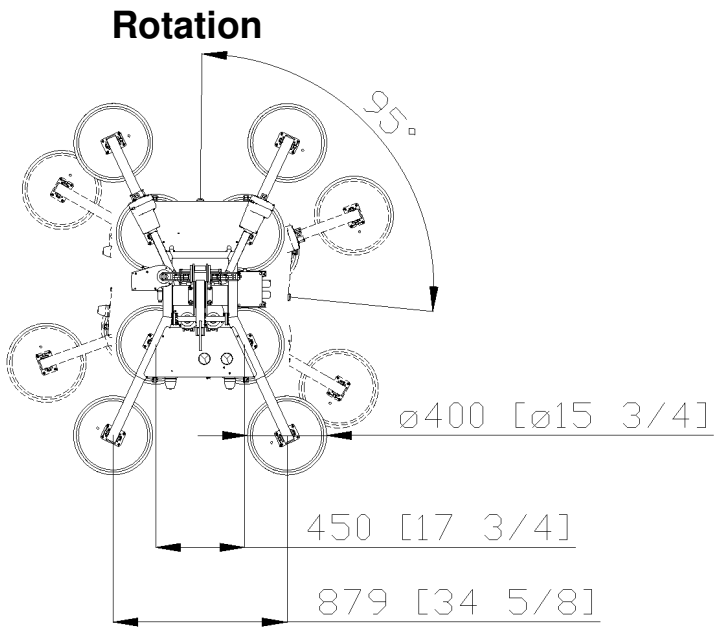
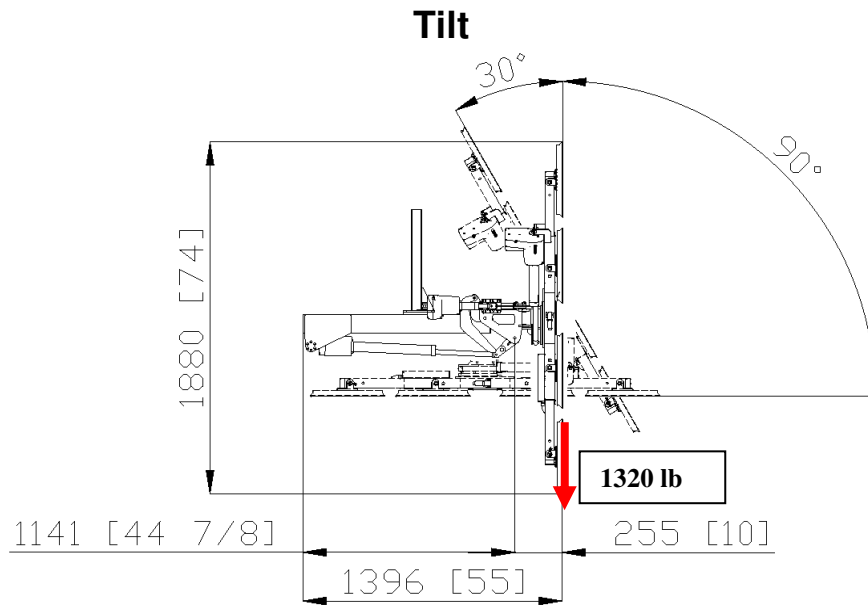
	lb
	55

JIB400.1MX



	lb
	130

MV600.3E+



	lb
	440

SYMBOLS

	Weight		Chart Wheels		Engine		Jib length and angle
	Counterweight		Minipicker		Diesel Fuel		Jib Length
	Crane		Back Wheel Point Loading		Gasoline Fuel		Jib Radius
	Travel Speed		Front wheel Point Loading		Tank		Hydraulic Jib Length
	Gradeability		Travel Speed		Battery		Hydraulic Jib Radius
	Outrigger Load		Gradeability		Power		Mechanical Jib Length
	Track Loading		Working Radius		Boom Angle		Mechanical Jib Radius
	Outriggers Setup		Hookblock		Boom Length		Manipulator Length
	Ext Tracks Width		Slewing		Boom Radius		Manipulator Radius
	Chart On Tracks		Slewing Locked		Jib Hook Radius		Maximum inclination of the machinery
	Jib on board		Without jib on board				

Remarks referring to load charts

- For the calculation of the load charts at least a wind speed of 30 ft/s (20 mph) and regarding the load a sail area of 1m² (1.2 yd²) per metric ton (2205lb) load and a wind resistance coefficient of 1.2 on the load have been taken into account. For lifting of loads with large sail areas and/or high wind resistance coefficients the maximum wind speed as stated in the load charts has to be reduced.
- Lifting capacities are given in pounds.
- The weight of the hook blocks and hooks is part of the load and therefore it must be deducted from the lifting capacities.
- Working radii are measured from the slewing centre.
- The lifting capacities given for the telescopic boom apply if the folding jib is removed.
- Subject to modification of lifting capacities.



NOTES

A large, empty rectangular box with a thin black border, intended for taking notes.

NOTES

NOTES

A large empty rectangular box intended for taking notes.

NOTES



DEALER



ORMET S.p.A. via Campardone, 7 Z.I. 31014 Colle Umberto (TV)
Italy tel. +39 0438 434443 fax +39 0438 430115
www.jekko.it - www.ormet.it - info@jekko.it