

SPX532 Main Features



STABILISATION SYSTEM

Outriggers with double articulation and five different positions (0°-15°-46°-62°-90°), for 1.250 possible configurations.



1 ton HYDRAULIC JIB

1 t hydraulic jib with triple rest position (on the column, on the ground or under the main boom)

EXTENDABLE TRACKS

Extension of tracks at an angle of 45° thanks independent cylinders, to both enhance stability and compensate slope or unevenness of the terrain.



AUTOMATIC POWER MODALITY

According to the lifted load it adjusts speed, maximum supplied power and engine performance.



J-CONNECT

Software developed by Jekko in order to improve remote service assistance and to have a general overview of the crane thanks to a real time connection with the machine



ADDITIONAL ELECTRIC ENGINE

Possibility of working indoor silently and without any kind of emission



1.2 ton RUNNER JIB

Stored on board.

HOOK OR WINCH MODE

With the same maximum lifting capacity, for a great operational versatility



MULTIPLE STABILITY AREAS

Intuitively displayed on the remote control's screen



PICK & CARRY

Maximum capacity of 400 kg



CJEKKO
SPX532



SPX532

MAX 3200 kg

LxWxH 3255 x 770 x 1960 mm

max 17,3 m with jib

max 14,8 m with jib

The user-friendliest crane ever, featuring the most advanced stability system. A top level performance is ensured with this new generation mini crane.



Technical Information

Dimensions	3255 x 770 x 1960 mm
Stab. Area	P.1 3800 x 3800 mm P.2 4400 x 4400 mm

Crane & Options Weights		Kg
	SPX532	2520
	Winch	50
	Single fall	20
	Multiple falls	50
	Outriggers	17
	Mats	17
	Mono-phase	50
	Three-phase	60
	Hydraulic Jib	210
	Runner Jib	50
	Manual ext.	15
	Pulley head	8

SPX532		KUBOTA D902-E4B	16,1kW 22HP
		Mono-phase	220V - 4 kW 400V - 5,5 kW
		Three-phase	230V - 5,5 kW

Speed		2.7 km/h
Gradeability		20° (36%)

Ground Pressure
0.63 kg/cm²

Boom Length
2.5 - 10.8 m | 35 sec.

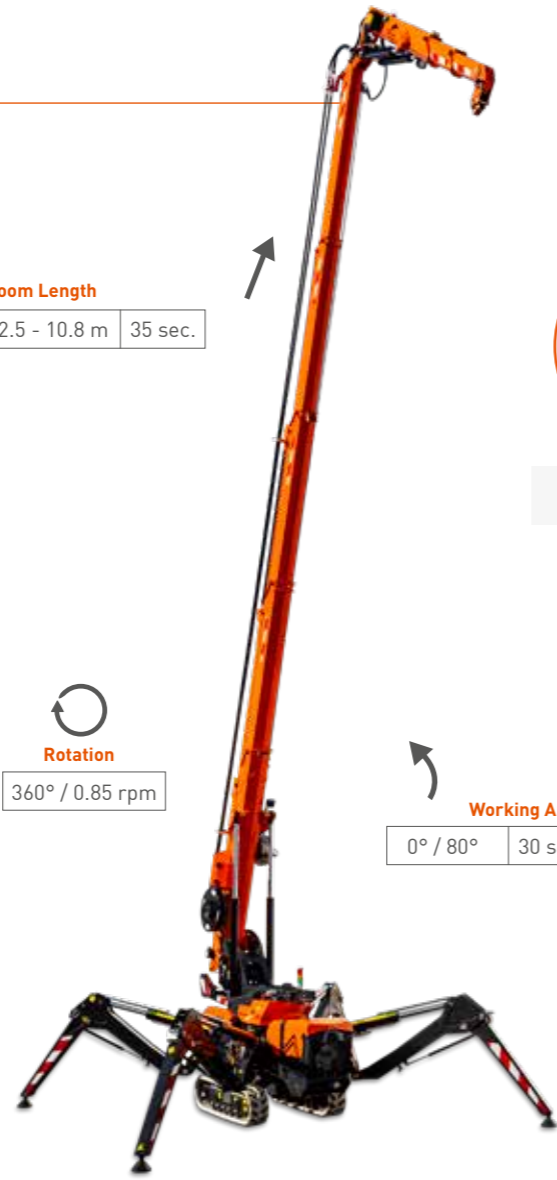
Rotation
360° / 0.85 rpm

Working Angle
0° / 80° | 30 sec.

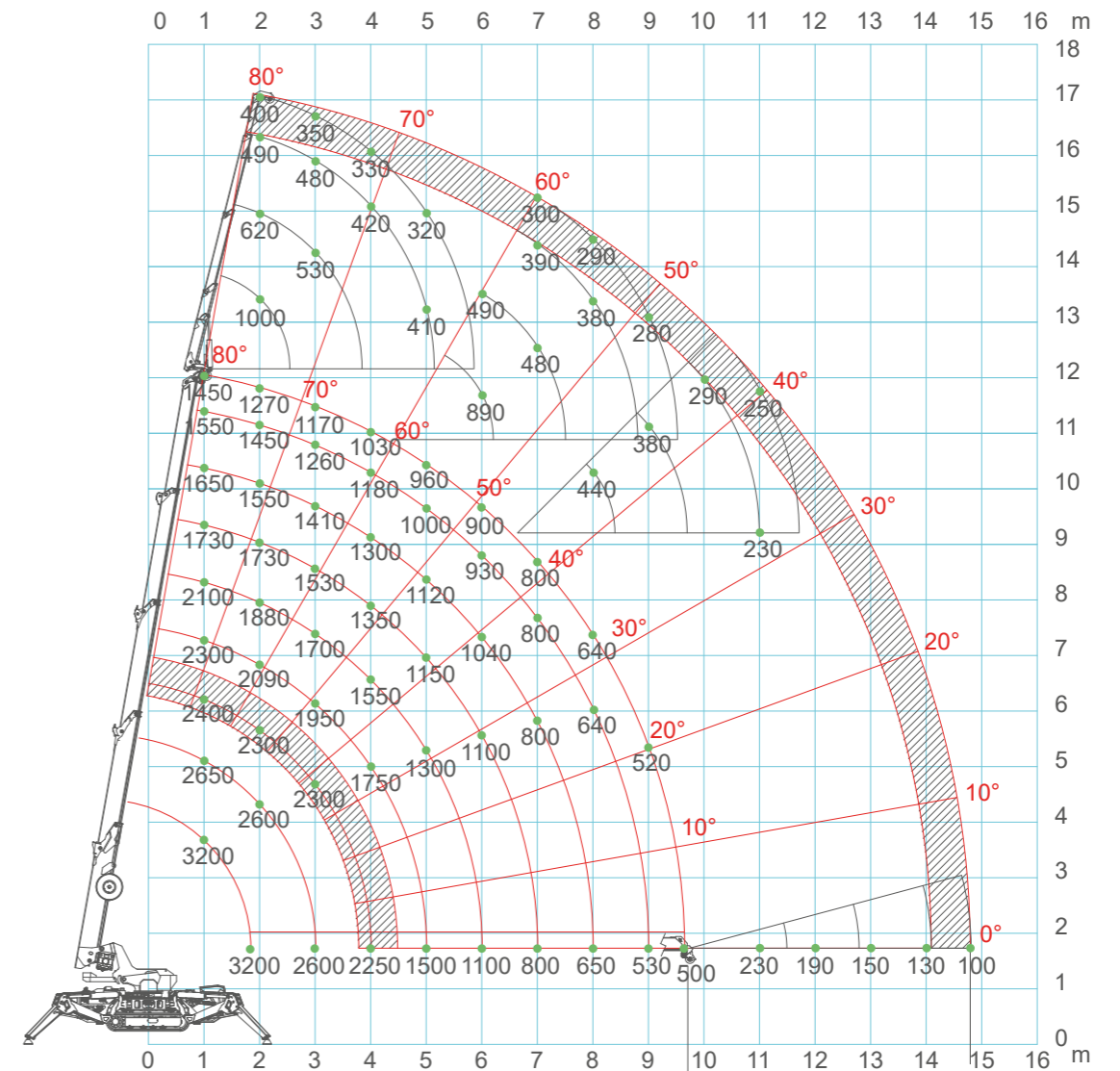


Radio Remote Control INCLUDED

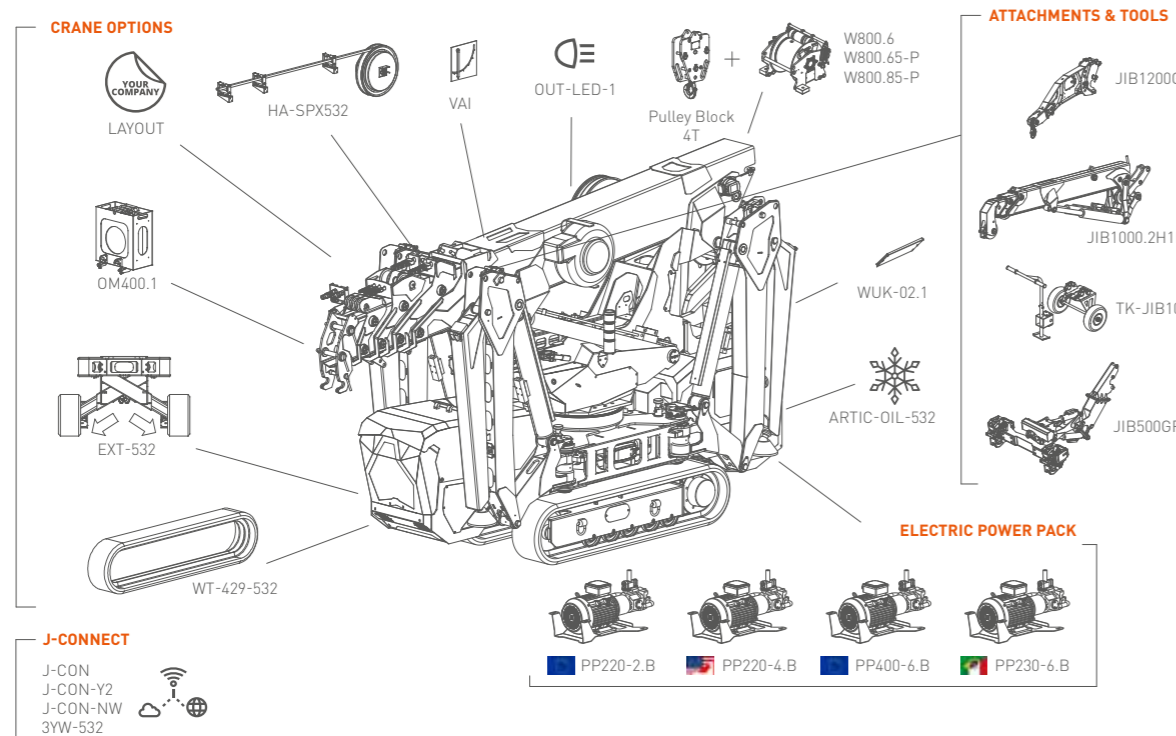
Loading Point
MAX 3000 kg



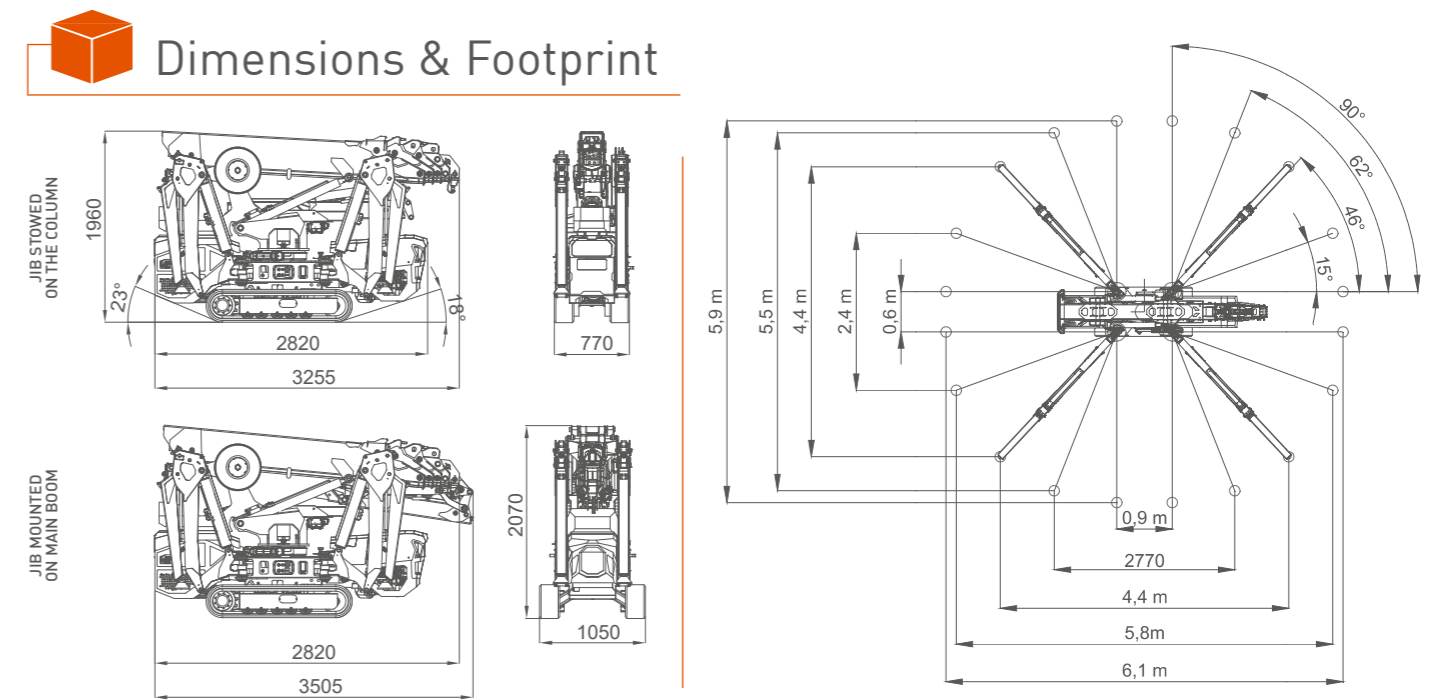
Load Chart



Crane Options



Dimensions & Footprint



All specifications and features herein described can be changed without prior advice. All indicated data are indicative only and are not binding as crane performs differently depending on its use.