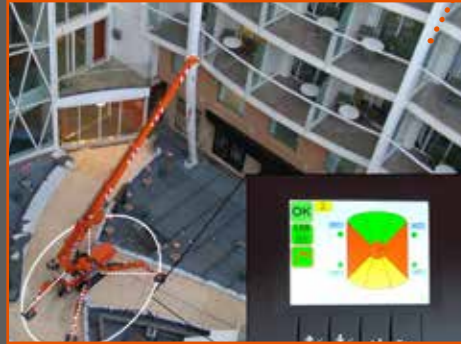


SPX312 Main Features

GEOMETRICAL STABILITY CONTROL

- ✓ Outriggers multi-position and angle
- ✓ Automatic load of working area
- ✓ Different working area:
 - Red - 0%
 - Grey - pick&carry
 - Yellow - 50%
 - Green - 100%



PLUG&PLAY SYSTEM CONTROL

- All accessories and tools:
- ✓ Integrated with the crane
 - ✓ Immediately recognized by the software
 - ✓ With a single radio remote control (same of the crane)



DIFFERENT ATTACHMENTS

- ✓ Three different JIBS
- ✓ Different tools completely integrated and radio remote controlled: glass manipulator, pipe manipulator, hydraulic fork...

SEARCHER-HOOK



MANUAL JIB



HYDRAULIC JIB



Jekko srl
Via Campardone, 1 - 31014 Colle Umberto (TV) Italy
info@jekko.it - www.jekko-cranes.com



SPX312

Product Catalog

SPX312

max 1200 kg

2790 x 770 x 1600 mm

max 10.9 m

max 9.5 m

The proper mini crane:
compact, easily maneuverable and versatile.
The perfect solution for any indoor job or to work in skyscrapers all over the world.



Technical Information

Dimension	L x W x H	2790 x 770 x 1600 mm
Stab. Area		3700 x 3700 mm

		Kg	
Crane & Options Weights	SPX312CP	1800	
	SPX312C+	1800	
	/		
	2T-D7	20	
	PP400-4DX PP220-4DX PP220-2DX	45	
JIB	JIB800GX	20	
	JIB400.1MX	60	
	JIB400.1HX	90	

SPX312CP	Petrol Engine	YAMAHA MZ 360	7.6 kW 10.4 Hp
SPX312C+	Standard or Lithium Battery	N.4 BATTERIES 6V, 240Ah	4.0 kW 5.5 Hp

Speed	CP 1.7 km/h C+ 0.85 km/h
Gradeability	20°
Ext. Tracks	770-1065 mm

* SPX312H: for hydraulic jib



Boom Length
2.2 - 7.6 m | 40 sec.

Working Angle
0° / 75° | 24 sec.

Rotation
330° / 1.0 rpm

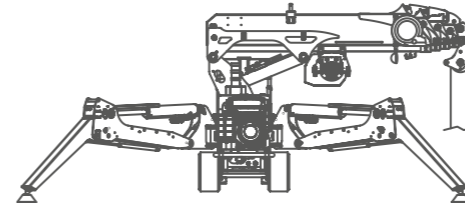
Max. Track Load
0.44 kg/cm²

Max. Outrigger Load
1850 kg

Electric Power Pack
4 kW - 3F
400 VAC 50 Hz
EU:
2 kW - 1F 220 VAC 50 Hz
USA/CANADA:
4 kW - 1F 110 VAC 60 Hz

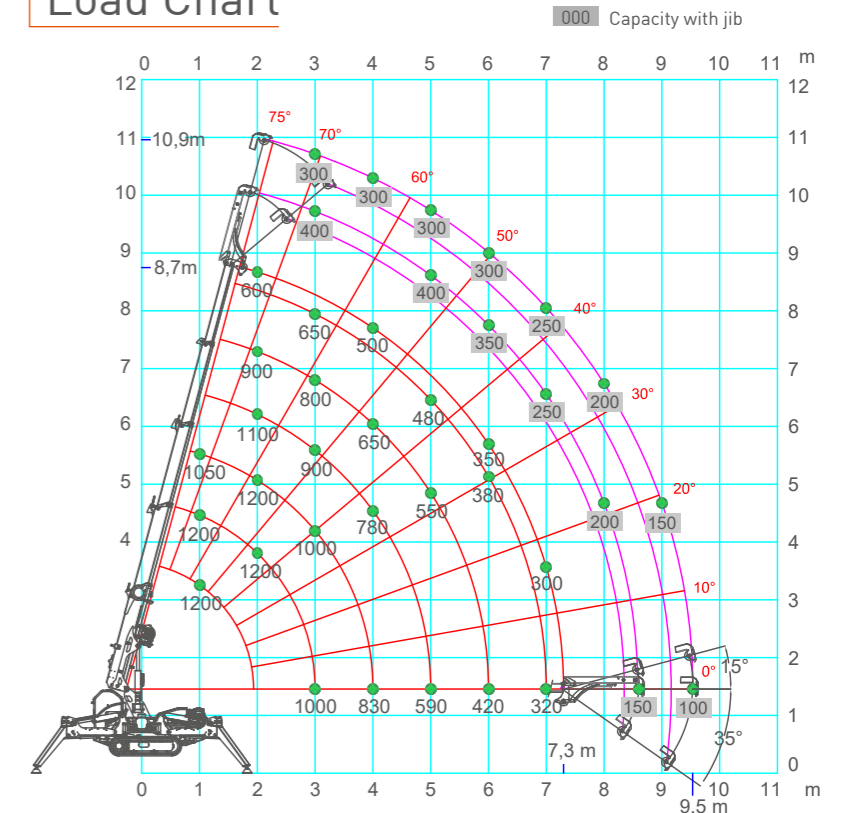
Winch & Fall Stages

Main Winch	600 kg (Single line) 63 m - Ø 7 mm 15.1-31.8 m/min.
------------	---

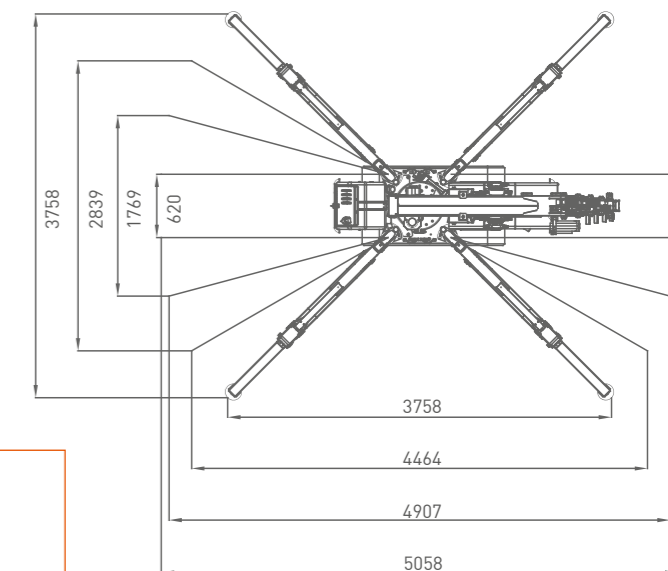
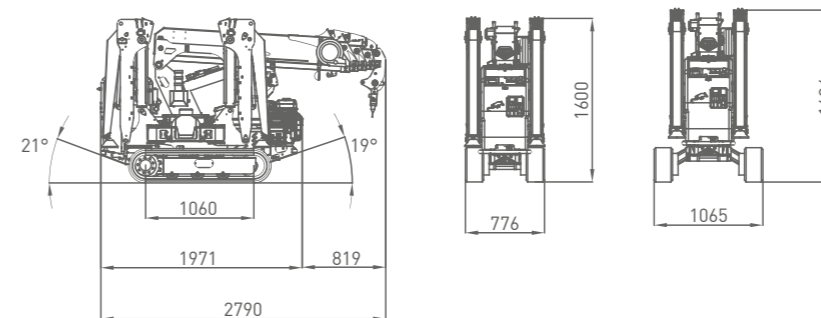


Max. Capacity	Line	Metres
max 1200 kg	2	-29 m
max 600 kg	1	-59 m

Load Chart



Dimensions



Crane Options

CRANE OPTIONS

- LAYOUT
- VAI
- AC-Y360
- RC-SPX-B
- RC-SPX-C
- 2T-D7
- OM300
- EXT-312-424/29
- WT-312
- J-CONNECT
- J-CON
- J-CON-Y2
- J-CON-NW
- 3W-312

ATTACHMENTS & TOOLS

- JIB800GX
- JIB400.1MX
- JIB400.1HX
- WUK-01
- ARTIC-OIL-312

ELECTRIC POWER PACK

- PP220-2DX
- PP220-4DX
- PP400-4DX

Tools Configurations

JIB800GX		JIB400.1M & JIB400.1HX	
max	800 kg	max	400 kg
max	600 kg @ 9.3 m	max	300 kg @ 10.9 m
max	200 kg @ 8 m	max	100 kg @ 9.5 m