

SPX1280 Features

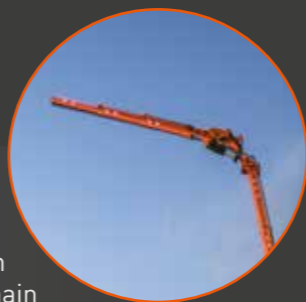


X-PATTERN OUTRIGGERS

With hydraulic telescopic extension and hydraulic rotation between 0° and 45°

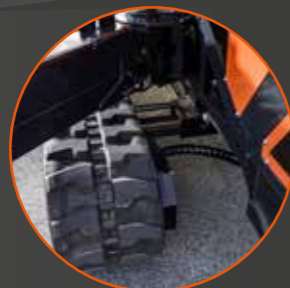
1.5 ton HYDRAULIC JIB

1.5 ton hydraulic jib with triple rest position (under main boom, lateral, on the ground)



EXTENDABLE TRACKS

To enhance the stability and to operate in pick & carry mode



AUTOMATIC POWER MODALITY

According to the lifted load it adjusts speed, maximum supplied power and engine performance.



J-CONNECT

Software developed by Jekko in order to improve remote service assistance and to have a general overview of the crane thanks to a real time connection with the machine



ADDITIONAL ELECTRIC ENGINE

Possibility of working indoor silently and without any kind of emission



3.5 ton RUNNER JIB

Double working mode (hook or winch), plug & play attachments

26.7 m MAXIMUM WORKING HEIGHT

With jib installed



HYDRAULIC SYSTEM

With digital electro-hydraulic distributor, allowing smooth and precise movements (up to three at the same time)

PICK & CARRY

360-degrees continuous pick&carry of 2 ton



Jekko srl
Via Campardone, 1 - 31014 Colle Umberto (TV) Italy
info@jekko.it - www.jekko-cranes.com



Product Catalog

SPX1280

max 8000 kg

5850 x 1450 x 2045 mm

max 26.7 m
with JIB301.3H

max 20.0 m

Reduced stabilization area, 8 T max capacity, 26,7-metres max working height, 2 T pick & carry: a mini crane with unique features which make it incomparable on the market.



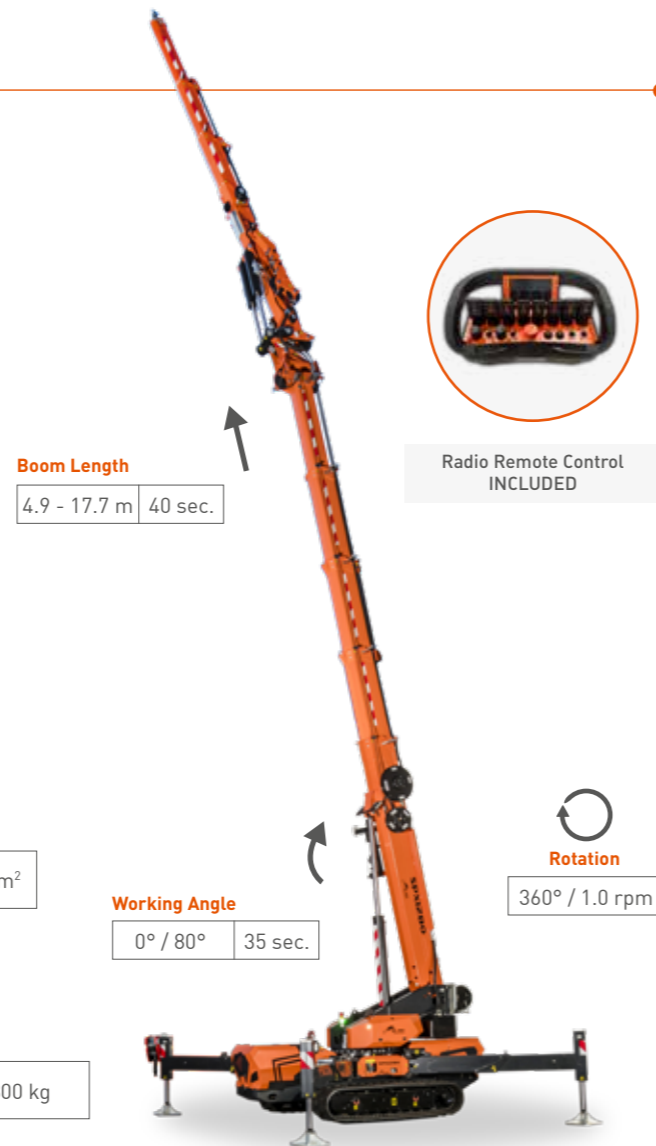
Technical Information

Dimensions	L x W x H	5850 x 1450 x 2045 mm
Stab. Area	Min. / Max.	3365 x 3365 mm / 4610 x 4610 mm

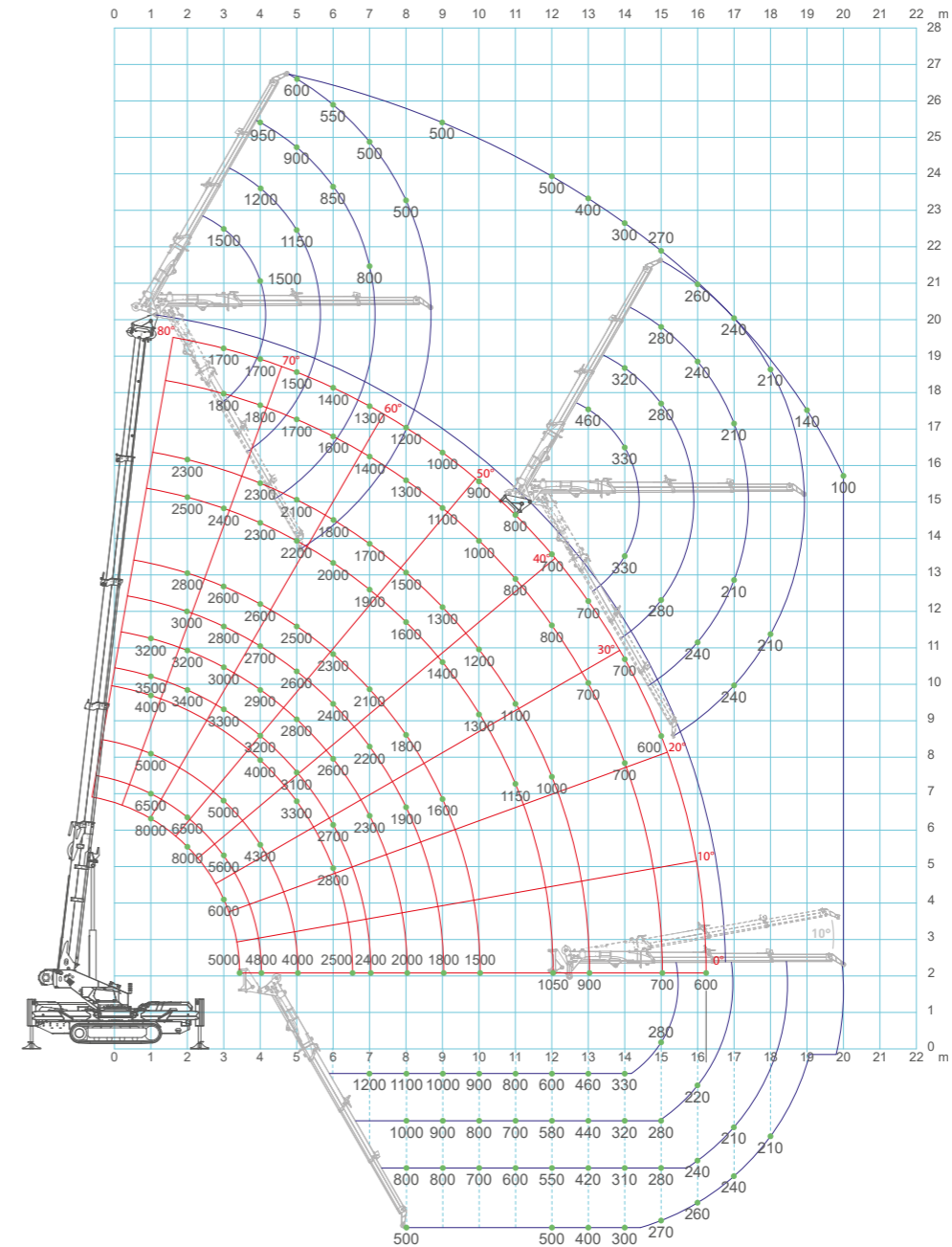
Crane & Options Weights		Kg
	SPX1280	6900
	Counterweight	1500
	Single fall	40
	Multiple falls	110
	Hydraulic activations	40
	Power Pack	140
	Hydraulic Jib	675
	Runner Jib	70
	Luffing Jib	265

SPX1280	KUBOTA V1505-E4B	18,5kW 25HP
	Mono-phase	220V - 8kW
	Three-phase	400V - 11kW / 400V - 12kW

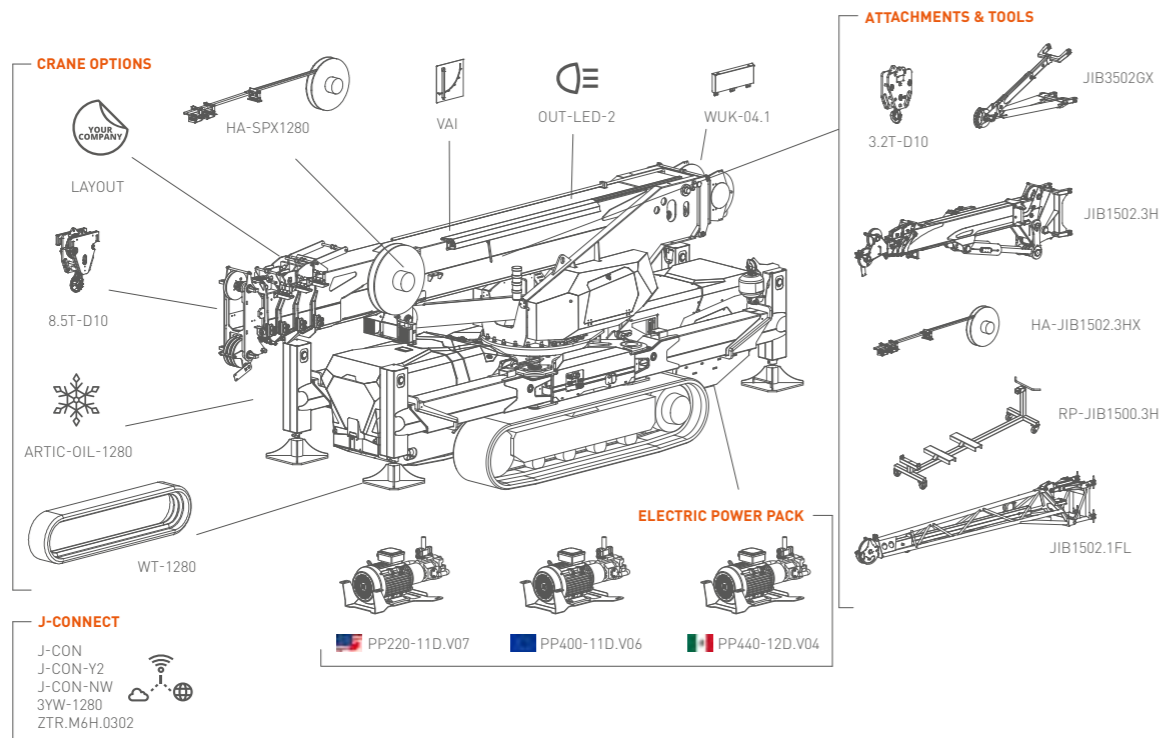
Speed		1.3 / 2.8 km/h
Gradeability		20° (36%)



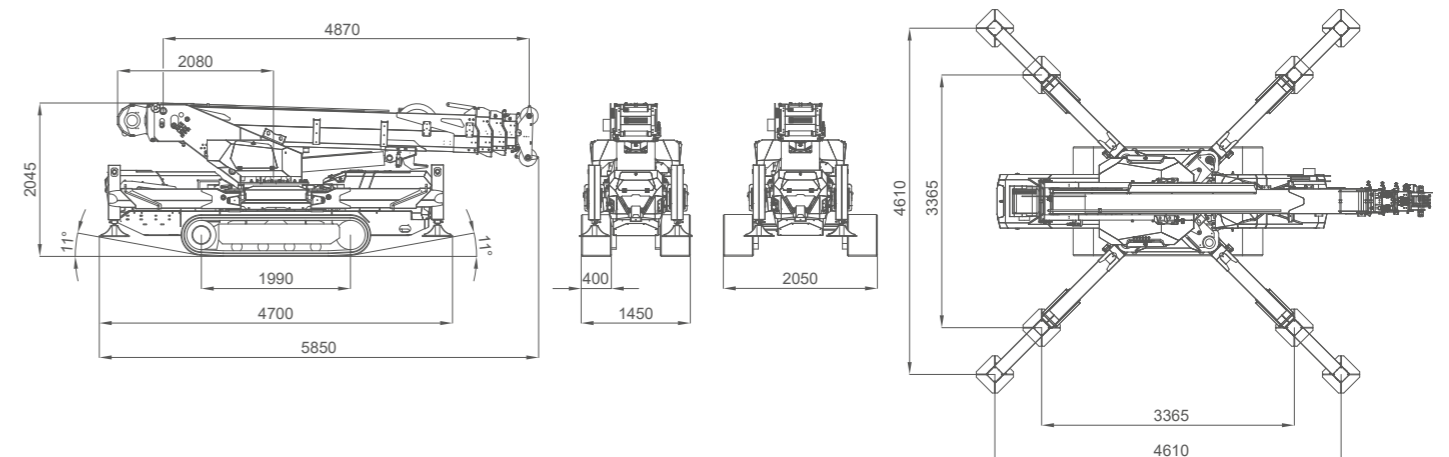
Load Chart



Crane Options



Dimensions & Footprint



All specifications and features herein described can be changed without prior advice. All indicated data are indicative only and are not binding as crane performs differently depending on its use.