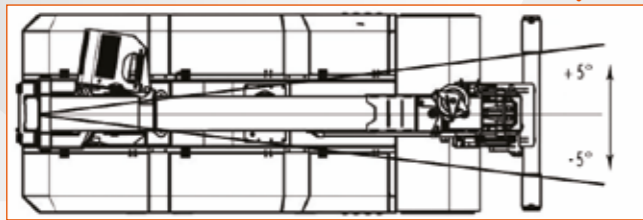


MPK50 Main Features

BOOM ROTATION

- ✓ Innovative boom rotation system + 5° / - 5°

PATENTED



PROFESSIONAL RADIO REMOTE CONTROL

- ✓ Proportional
- ✓ Multifunctions (up to 3 movements)
- ✓ LCD display
- ✓ Crane and wheel control



FRONT STABILIZER

- ✓ To increase stability and lifting capacity



DIFFERENT ATTACHMENTS

TWO SECTIONS MODULAR JIB



TILTING HEAD



GLASS MANIPULATOR



JEKKO
MPK50



Jekko srl
Via Campardone, 1 - 31014 Colle Umberto (TV) Italy
info@jekko.it - www.jekko-cranes.com

Product Catalog

MPK50

max 5 T

3050 x 1200 x 1750 mm

max 9.2 m

max 6.1 m

Pure innovation. Totally radio remote-controlled, battery powered, 5 T pick & carry, patented boom rotation system and frontal stabilizer bar make this crane one of a kind.



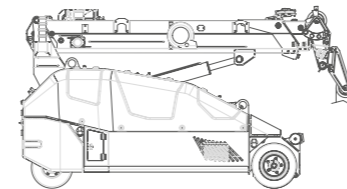
Technical Information

Dimension	3050 x 1200 x 1750 mm	
Crane & Options Weights	MPK50	3450 Kg
	/	1000
	5T-D8	10
	JIB1800-700.2M	Module 1800 / 32 Kg Module 700 / 23 Kg Tot. 55 Kg
	MV600.3E+	180
MPK50 Battery	2 Batteries 24 V 620 Ah	12 kW 16,1 Hp
Speed	4.0 km/h	
Gradeability	20°	



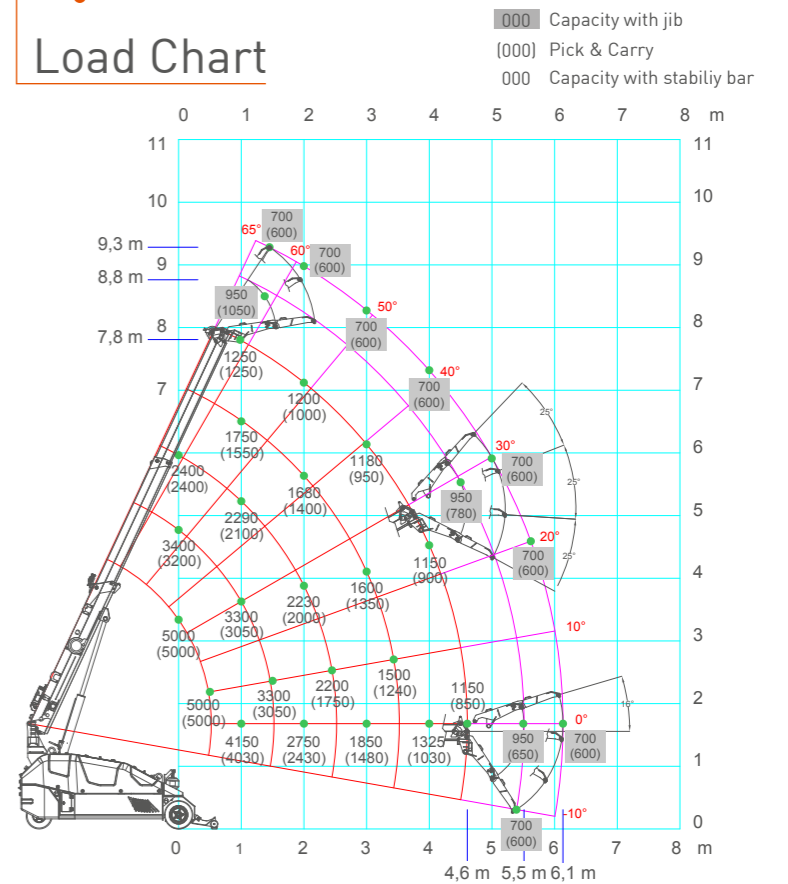
Winch & Fall Stages

Main Winch	1000 kg 60 m - Ø 8 mm 45.1 m/min.
------------	---

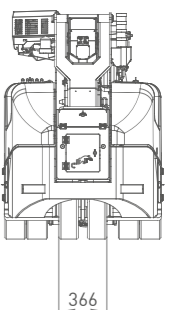
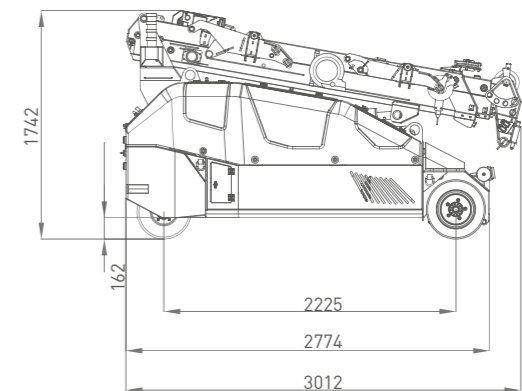
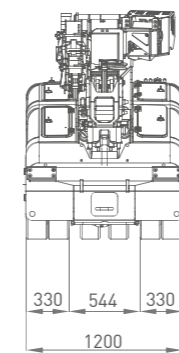


Max. Capacity	Line	Metres
5000 kg	5	-11 m
4000 kg	4	-13 m
3000 kg	3	-18 m
2000 kg	2	-27 m
1000 kg	1	-53 m

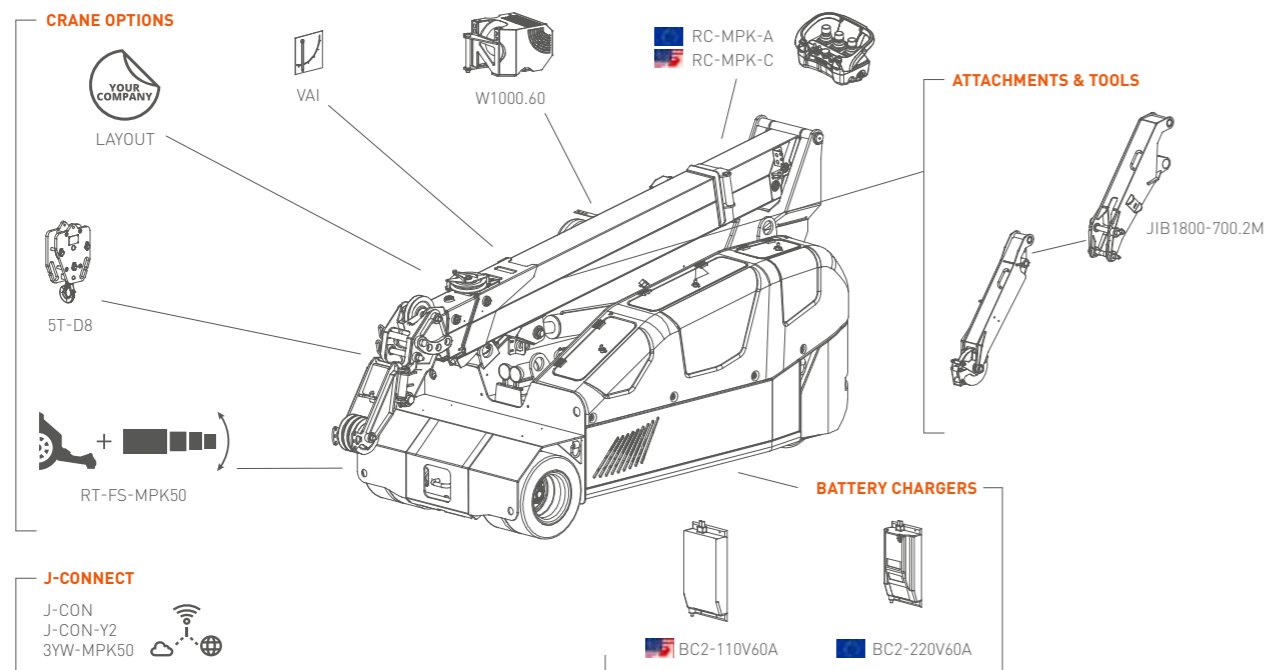
Load Chart



Dimensions



Crane Options



Tools Configurations

JIB1800-700.2M	Short	Long
max	1800 kg	700 kg
max	1000 kg @ 8.5 m	700 kg @ 9 m
max	950 kg @ 5.5 m	700 kg @ 6 m

MV600.3E+	
max	600 kg
max	600 kg @ 8 m
max	500 kg @ 6.5 m