

MPK20 Main Features

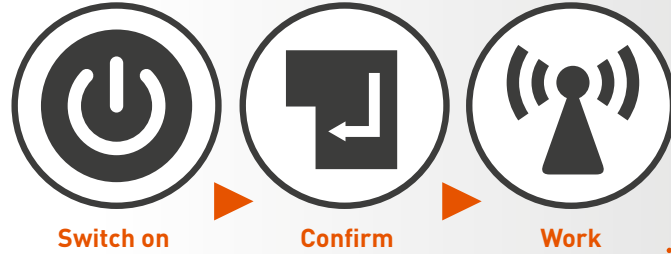
LMI-LOAD MOMENT INDICATOR

- ✓ Displays all the information on the boom or any attachment position
- ✓ Displays weight of the load being lifted and the maximum safe working load capacity
- ✓ Prevents overloading and tipping by cutting out when safe limits are approached



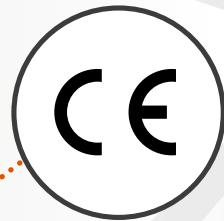
USER FRIENDLY

- ✓ Three simple steps to work



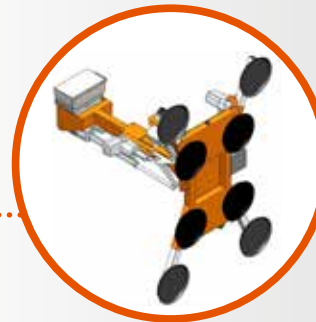
SAFEST CRANE IN THE MARKET

- ✓ In compliance with EN 13000
- ✓ C.E. Certified
- ✓ Overload Data Logging



DIFFERENT ATTACHMENTS

Runner jib



Glass Manipulator



MPK20

max 2 T

2660 x 950 x 1950 mm

max 5.8 m

max 2.8 m

The essential partner for industrial maintenance and glass handling. Reliable, safe and easy to use: a small crane with great potential.



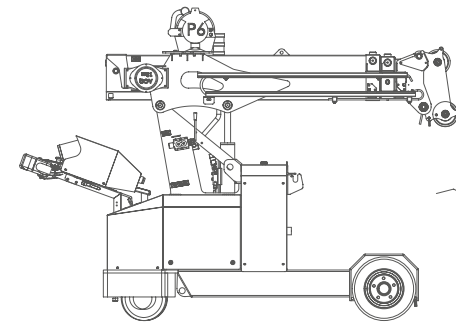
Technical Information

Dimension	LxWxH		2660 x 950 x 1950 mm
Crane & Options Weights	MPK20	Kg	1455
	/	Kg	500
	2T-D7	Kg	10
	JIB500G	Kg	30
	MR800.4	Kg	250
MPK20	Battery	1 Battery 24 V 345 Ah	3,0 kW 4,2 Hp
Speed			3.6 km/h
Gradeability			10°



Winch & Fall Stages

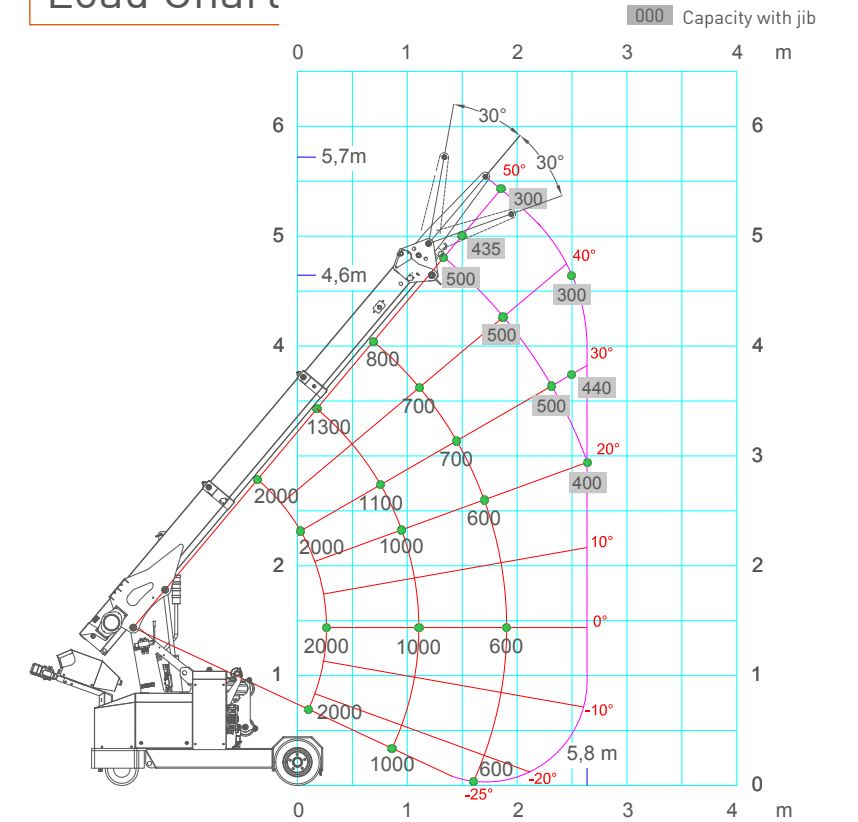
Main Winch	600 kg 60 m - Ø 7 mm 18 m/min.
------------	--------------------------------------



Max. Capacity	Line	Metres
1800 kg	3	-19 m
1200 kg	2	-28 m
600 kg	1	-55 m



Load Chart



Crane Options

CRANE OPTIONS

- HA-MPK20
- W600.60
- RC-MPK20
- TB-MPK20
- 2T-D7
- J-CONNECT: J-CON, J-CON-Y2, ZTR.M6H.0100, 3YW-MPK20

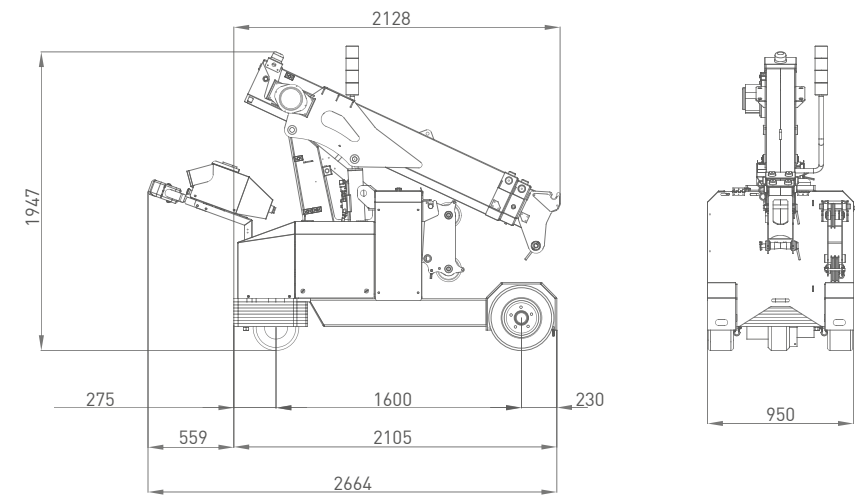
ATTACHMENTS & TOOLS

- JIB500G
- QC-MR800B
- MR800.4-6+4P + Steel Holder
- JDF-MPK20

BATTERY CHARGERS

- BC-110V30A
- BC-220V30A

Dimensions



Tools Configurations

JIB500G		MR800	
max	500 kg	max	800 kg
max	300 kg @ 5.5 m	max	150 kg @ 4 m
max	400 kg @ 2.5 m	max	150 kg @ 3.5 m