

# MPK06 Main Features

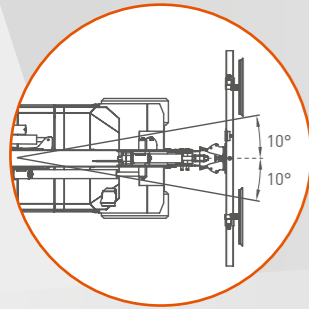


- ✓ **3 MOVEMENTS AT THE SAME TIME**
- ✓ **FULLY ELECTRIC**
- ✓ **ADJUSTABLE SPEED**



## EXTRA LINK

For even more flexibility in movements.



## MAIN COLUMN ELECTRIC ROTATION

The only Pick&Carry crane with +/- 10° electric rotation of the main column.



## HOOK OR MANIPULATOR MODE

The only Pick&Carry crane with both hook mode in compliance with EN13000 standard and vacuum manipulator.

EN13000

## DRAWBAR BLOCK

For back/forth sliding movement controlled by remote control.



## SIDE OUTRIGGERS

Two outriggers at the sides of the machine, to increase its stability.



## REMOVABLE COUNTERWEIGHT

Modular removable counterweight.

## USB PORT + TOOLBOX

USB port for your electronic devices and toolbox for storage.



## WHITE TYRES

For indoor operations or in case of delicate surfaces white no-marking tyres are available as an option.



**CJEKKO**  
MPK06



Jekko srl  
Via Campardone, 1 - 31014 Colle Umberto (TV) Italy  
info@jekko.it - www.jekko-cranes.com

Product Catalog

# MPK06

**max** 600 kg

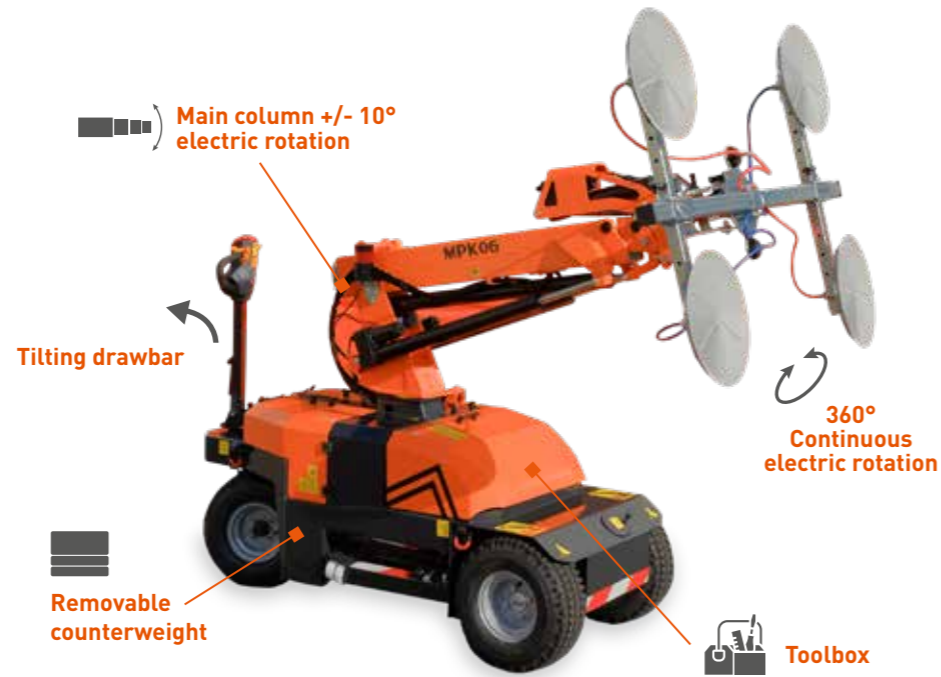
1845 x 835 x 1470 mm

The only minipicker that can be used with a manipulator with suction caps or in hook mode in compliance with EN13000 regulation. Up to three movements at the same time without losing power.



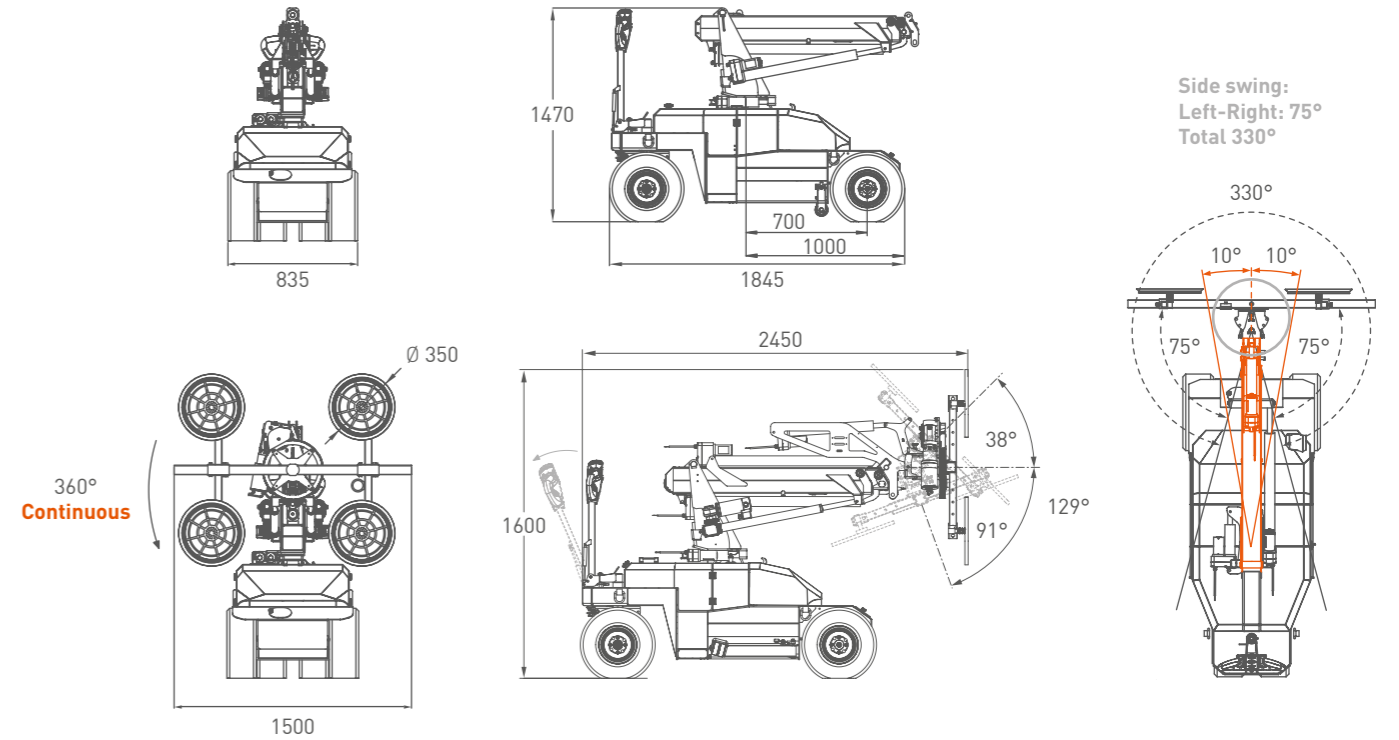
## Technical Information

Dimension	L x W x H	1845 x 835 x 1470 mm
Crane & Options Weights		Kg
	MPK06	815
	Removable Counterweight	145 + 40
	JVM06	70
MPK06	Battery	2 Batteries 12 V 155 Ah



## Dimensions / Dimensions with JVM06 Glass Manipulator

version with 2 electric boom extensions



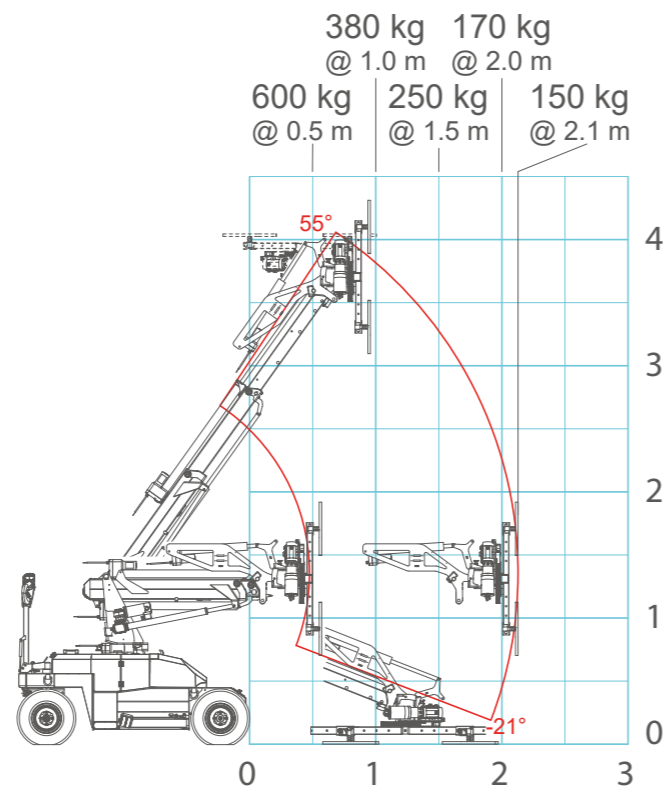
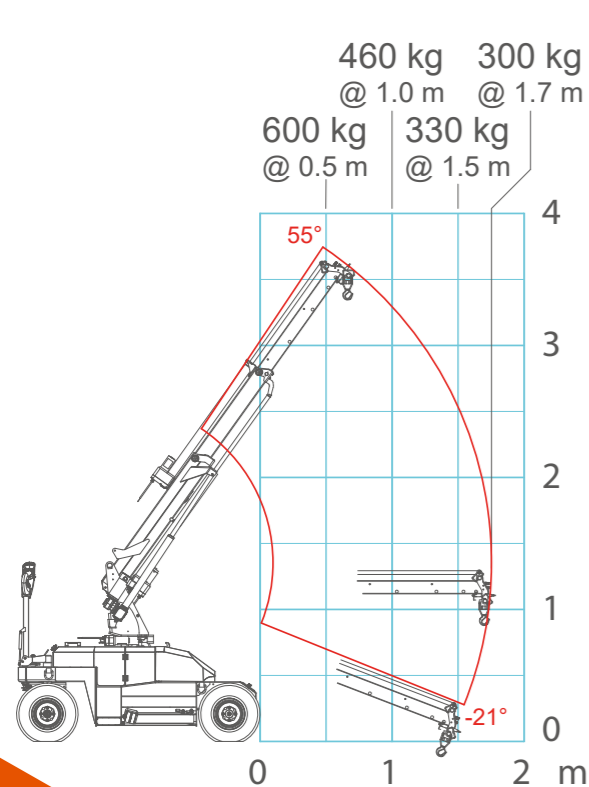
## Dimensions

version with 2 electric boom extensions



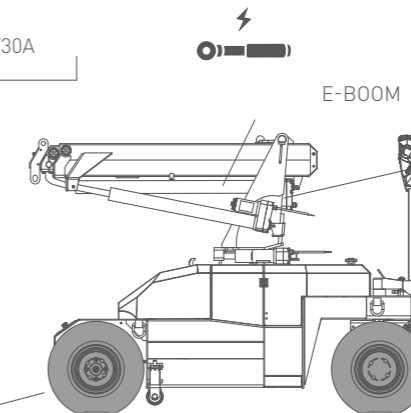
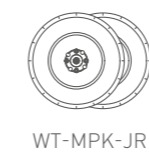
## Load Chart with JVM06

version with 2 electric boom extensions



## Crane Options

### BATTERY CHARGERS



### ATTACHMENTS & TOOLS

