

JVM800R Main Features



- ✓ **DOUBLE VACUUM CIRCUIT**
- ✓ **FULLY ELECTRIC**
- ✓ **CONTINUOUS 360° ROTATION**

UP TO EIGHT SUCTION PADS

Equipped with four fixed suction pads and four detachable, that can be easily installed and removed thanks to the quick-coupling system



DOUBLE RECHARGABLE BATTERIES

The transport tray holds an extra battery on the charging dock, to be always ready for the next work

TRANSPORT TRAY

Sturdy transport tray for safe storage of the manipulator when not in use



DEDICATED REMOTE CONTROL

For extra flexibility on the working site



JVM800R



Jekko srl
Via Campardone, 1 - 31014 Colle Umberto (TV) Italy
info@jekko.it - www.jekko-cranes.com

Product Catalog

JVM800R

max 800 kg

1340 x 2900 x 1250 mm

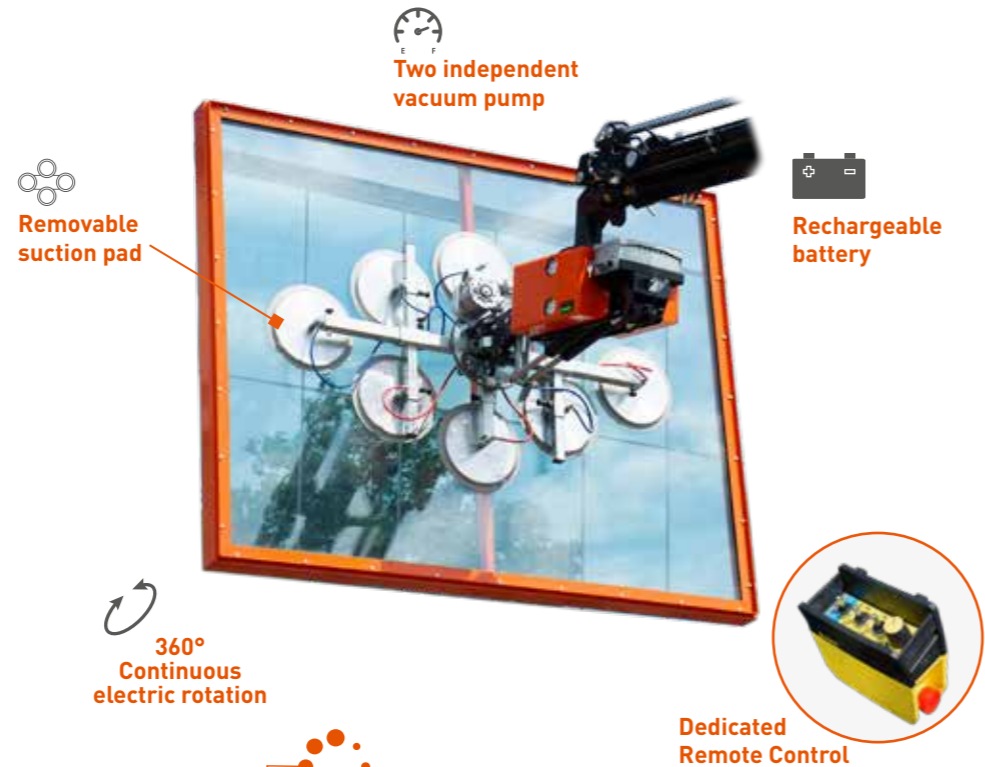


Technical Information

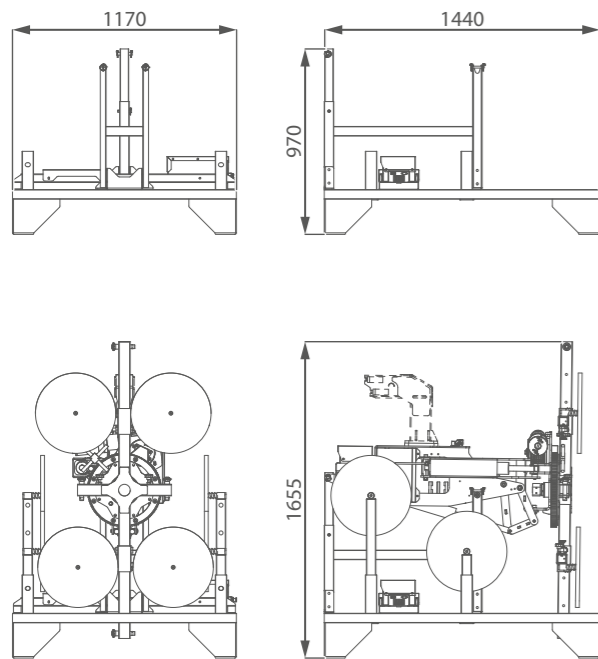
Dimension	L x W x H	1340 x 2900 x 1250 mm
-----------	-----------	-----------------------

Weights	Name/version	kg
	JVM800 (4 pads) with remote	220
	Extra pad	5,5

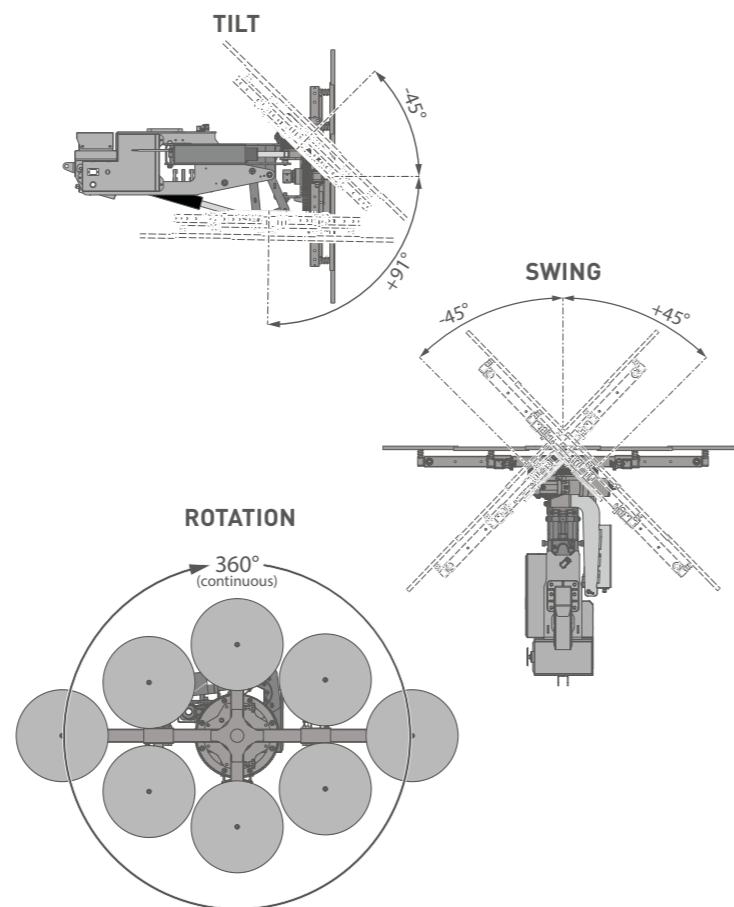
Electric		Lead Battery	24V 14,4 Ah
Pad		Diameter	420 mm
Movements		Tilt	+45° / -91°
		Swing	+45° / -45°
		Rotation	360°
Capacity		Maximum Capacity	100 kg per pad
			Max: 800 kg



Dimensions on transport tray



Movements



Configurations

Configuration	Pads	Dim.	Minimum Pane Dimensions		Lifting capacity
			min [mm]	MAX [mm]	
	8	A	2020	2900	800
		B	1250	1250	
	6	A	1230	1800	600
		B	1250	1250	
	4	A	1230	1800	400
		B	920	1200	

Dimensions

