

JVL450/600 Main Features



TWO INDEPENDENT VACUUM PUMP

The two independent vacuum lines give an extra layer of safety and better control over the load



ADJUSTABLE

The heads of JVL450 and JVL600 can be manually adjusted to find the perfect inclination when installing a slab



RECHARGEABLE BATTERY

Powered by a rechargeable battery, the JVL450 and JVL600 don't need to be plugged into an electric outlet while working, for an increased adaptability



MULTIPLE CONFIGURATIONS

It is possible to attach 2 extra pads to the four in-line fixed suction pads, to use the lifters in a line or cross configuration, adapting the tool to the surface



OPTIONAL RADIO REMOTE CONTROL

This valuable optional remote control allows the operator to activate or release the vacuum at a great distance, making the job easier



TRANSPORT TROLLEY

Extremely sturdy, this trolley allows safe storage of the vacuum tool when not in use



JVL450 JVL600



Jekko srl
Via Campardone, 1 - 31014 Colle Umberto (TV) Italy
info@jekko.it - www.jekko-cranes.com

Product Catalog

JVL450

max 450 kg

250 x 1080 x 1305 mm



Technical Information

Dimension	L x W x H	250 x 1080 x 1305 mm
-----------	-----------	----------------------

Weights	Name	Version	kg
	JVL450	4 pads	56
		6 pads	68

Electric	Lead Battery	12V - 7Ah	
Pad	Diameter	300 mm	
Movements	Tilt	0° / 90°	
	Rotation	360°	
Capacity	Maximum Lifting Capacity	4 pads	300 kg
		6 pads	450 kg



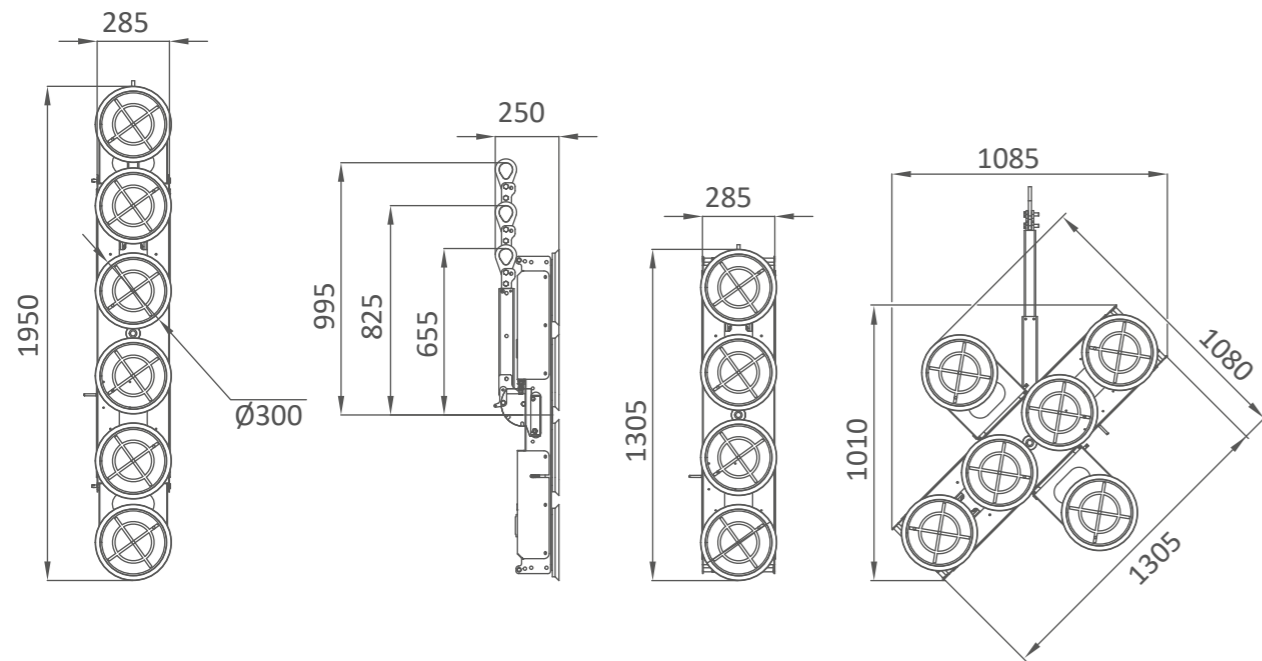
Transport trolley for safe storage, with space for the extra suction pads



Extra suction pads, easy to attach and detach in two different configurations



Dimensions



JVL600

max 600 kg

250 x 1310 x 1690 mm



Technical Information

Dimension	L x W x H	250 x 1310 x 1690 mm
-----------	-----------	----------------------

Weights	Name	Version	kg
	JVL600	4 pads	70
		6 pads	85

Electric	Lead Battery	12V - 7Ah	
Pad	Diameter	400 mm	
Movements	Tilt	0° / 90°	
	Rotation	360°	
Capacity	Maximum Lifting Capacity	4 pads	400 kg
		6 pads	600 kg



The extra suction pad can be installed to configure the lifter in a line or cross, adapting the tool to the surface



Dimensions

