

JFS45 VMAX



MAIN BOOM

6 telescopic sections, 360-degrees continuous rotation, max lifting capacity of 15.5 t



3 ton HYDRAULIC JIB

6 telescopic sections, maximum working height 30 m, maximum outreach of 28 m, 20° negative angle

ADDITIONAL ELECTRIC ENGINE

Possibility of working without any kind of emission



DEDICATED HYDRAULIC EXTRA FUNCTION

On main boom and jib, with additional oil cooler, allowing the use of a wider range of tools whose operation require elevated quantity and pressure of oil.



GREAT ACCESSIBILITY

Even in the most confined places, thank to the compact dimensions



X-PATTERN OUTRIGGERS

With hydraulic rotation between 0° and 45° and endless operational configurations

ONE TOOL, MANY OPERATIONS

Possibility of cutting, resting on the ground and sorting the branches or trunks using grapple saw



MORE PRECISE WORK

By bringing the machine near the working area



SAFER JOB FOR THE OPERATOR

Thanks to the possibility of managing all crane and tool movements with radio remote control from safety distance



JFS45 VMAX

Grapple Saw Application

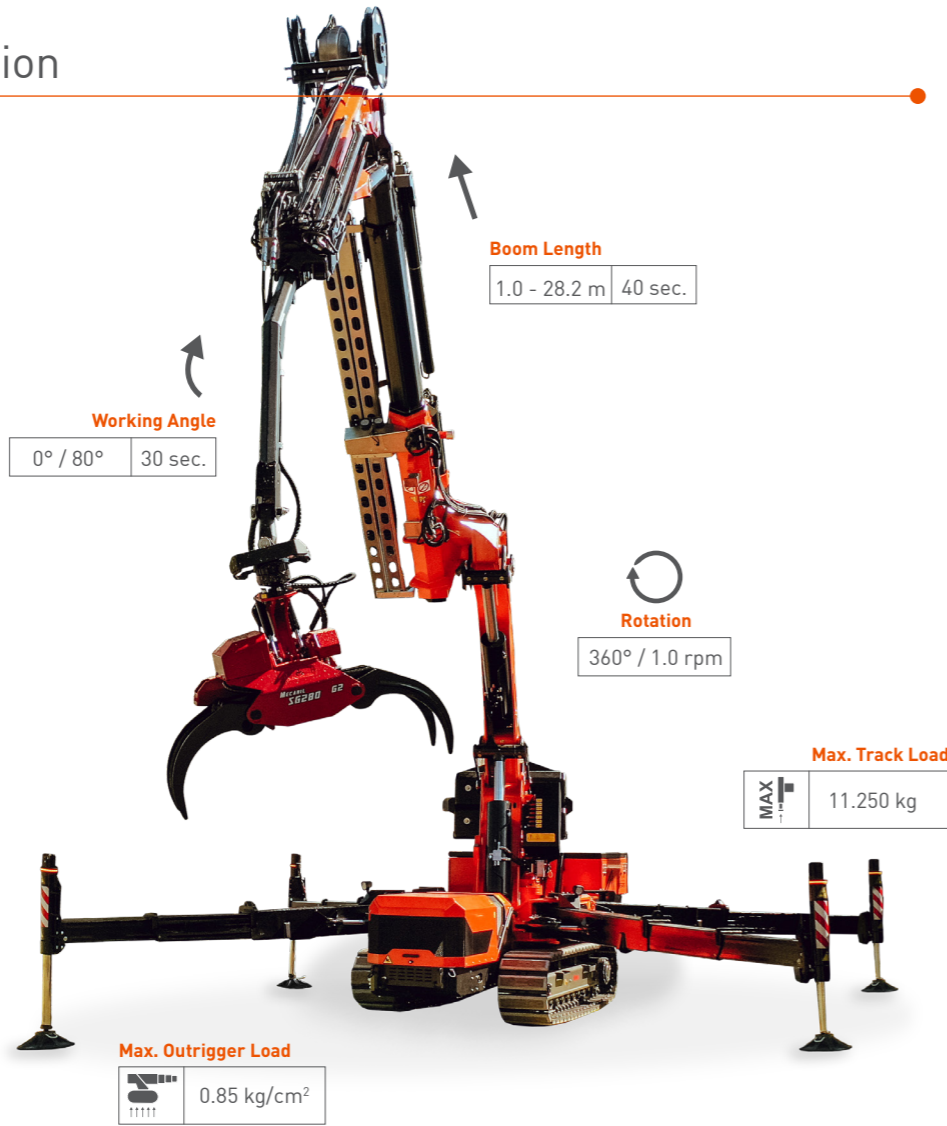


Jekko srl
Via Campardone, 1 - 31014 Colle Umberto (TV) Italy
info@jekko.it - www.jekko-cranes.com

Product Catalog

Technical Information

| | | | |
|-------------------------|---------------------|---------------------------------------|------------------|
| Dimensions | L x W x H | 5,45 x 1,89 x 2,93 m | |
| Footprint | Min | 4,25 x 4,25 m | |
| | Max | 6,7 x 6,7 m | |
| Crane & Options Weights | | Kg | |
| | JF545 | 13700 | |
| | Counterweight | 3500 | |
| | Pulley Block | 60 | |
| | Winch | 200 | |
| | Power Pack | 80 | |
| | JIB3000.6HA | 1200 | |
| | Basket | 200 | |
| White Pads | 300 | | |
| Winch | | 2000 kg single line 60 m - Ø 12 mm | |
| JFS45 | Diesel Engine | KUBOTA V3307-CR-TE4B | 55,4 kW 74 Hp |
| | Electric Power Pack | 400V-3F | 13 kW 17,4 Hp |
| Speed | | 2.5 km/h | |
| Gradeability | | 20° | |

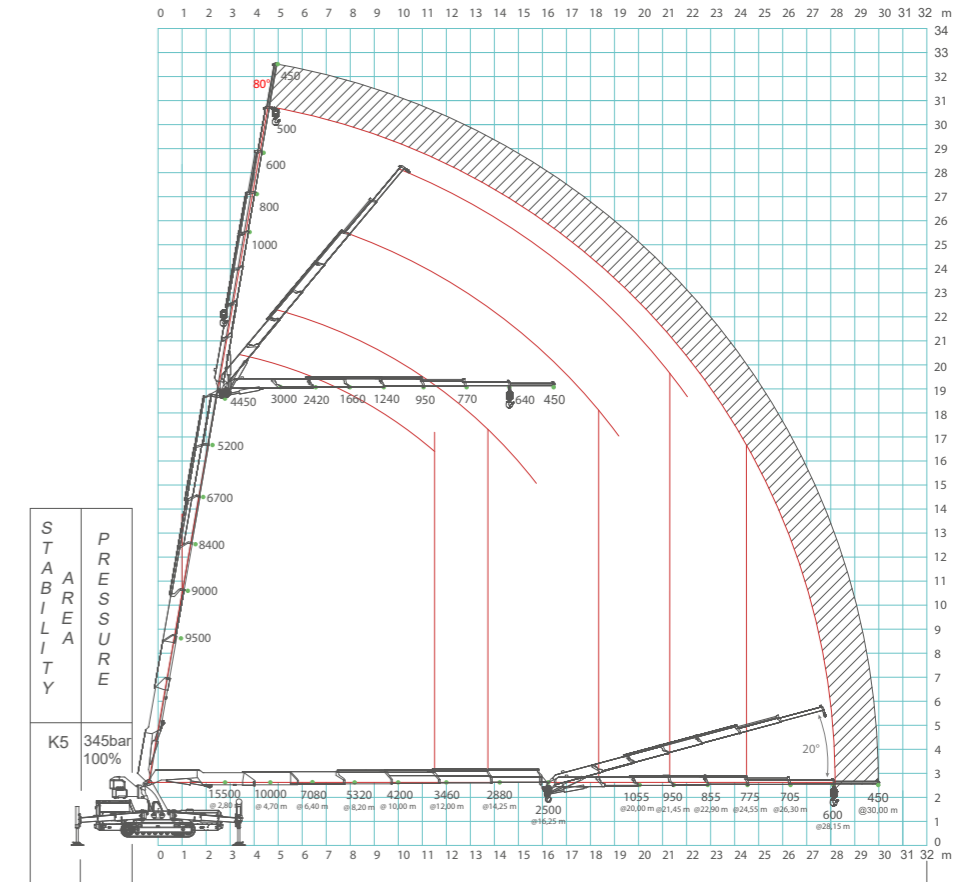


Grapple Saw

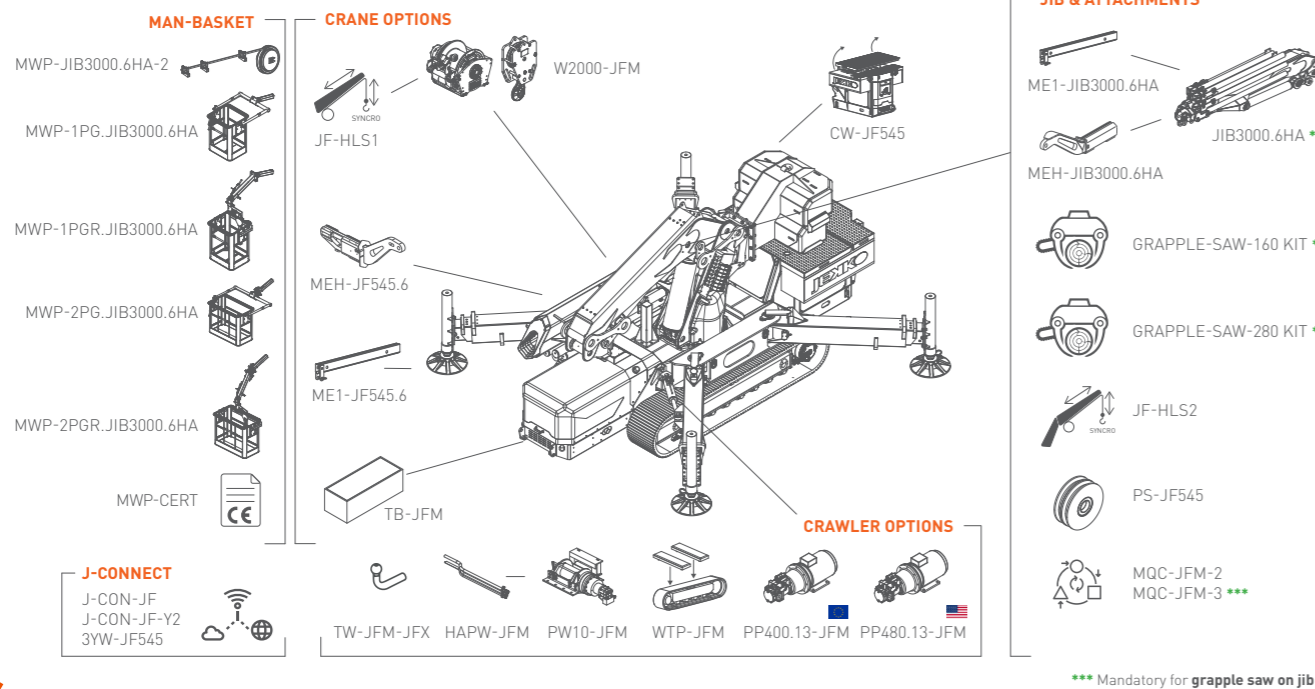
| | |
|---------------------|---|
| | SG160RC-T-G2 (GRAPPLE-SAW-160 KIT) |
| Cutting diameter | Saw 16" » 350 mm |
| Opening of grapple | 925 mm - 36.5" |
| Rec. work. pressure | 180-230 bar |
| Rec. oil flow rate | 40-80 l/min 10-25 GPM |
| Grapple size | 0,16 m² |
| Weight | 220 kg |

| | |
|---------------------|---|
| | SG280RC-T-G2 (GRAPPLE-SAW-280 KIT) |
| Cutting diameter | Saw 22" » 550 mm Saw 25" » 630 mm |
| Opening of grapple | 1490 mm - 59" |
| Rec. work. pressure | 180-230 bar |
| Rec. oil flow rate | 60-100 l/min 15-30 GPM |
| Grapple size | 0,30 m² |
| Weight | 390 kg |

Load Chart



Crane Options



Dimensions & Footprint

