

JF545 Main Features

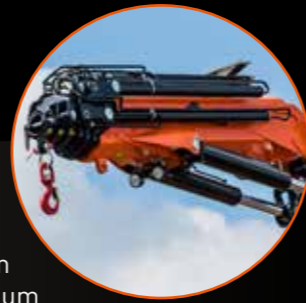


MAIN BOOM

6 telescopic sections, 360-degrees continuous rotation, max lifting capacity of 15.5 ton

3 ton HYDRAULIC JIB

6 telescopic sections, maximum working height 30 m, maximum outreach of 28 m, 20° negative angle



REMOVABLE COUNTERWEIGHT

With automatic dismantling system



ADDITIONAL ELECTRIC ENGINE

Possibility of working indoor silently and without any kind of emission



MEWP AND MAN BASKET

To be installed respectively on main boom and jib



X-PATTERN OUTRIGGERS

With hydraulic rotation between 0° and 45° and endless operational configurations



PICK & CARRY

Thanks to the sturdy crawlers

STABILISATION SYSTEM

5 stability levels, endless operating configurations



USER-FRIENDLY RADIO REMOTE CONTROL

It allows the single operator to easily manage all crane's movements, in complete safety



JF545



Jekko srl
Via Campardone, 1 - 31014 Colle Umberto (TV) Italy
info@jekko.it - www.jekko-cranes.com

Product Catalog

JF545

max 15500 kg

5,4 x 1,8 x 2,8 m

max 30 m
with jib

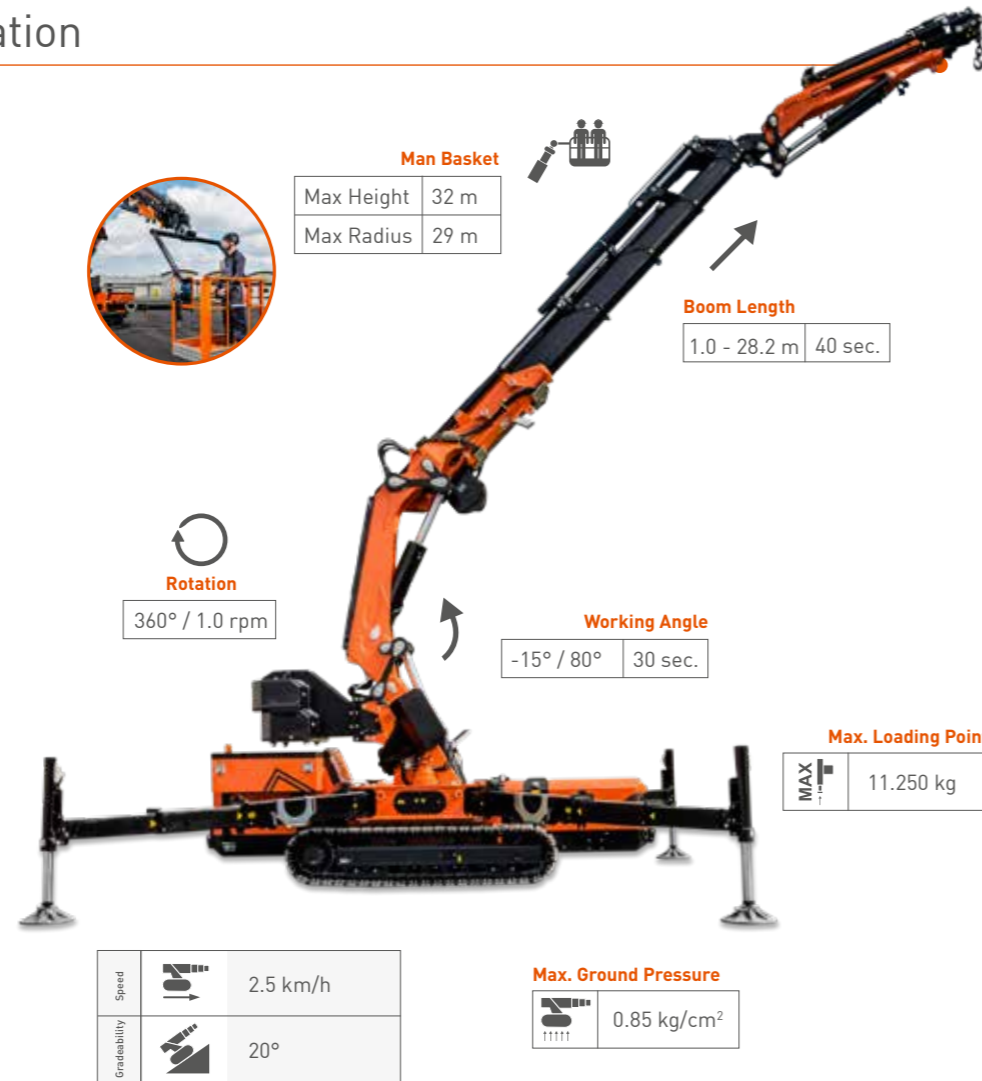
max 28 m
with jib

This model combines an articulated truck loader crane with a self-propelled crawler chassis. It offers a glimpse into the future of crawler cranes.

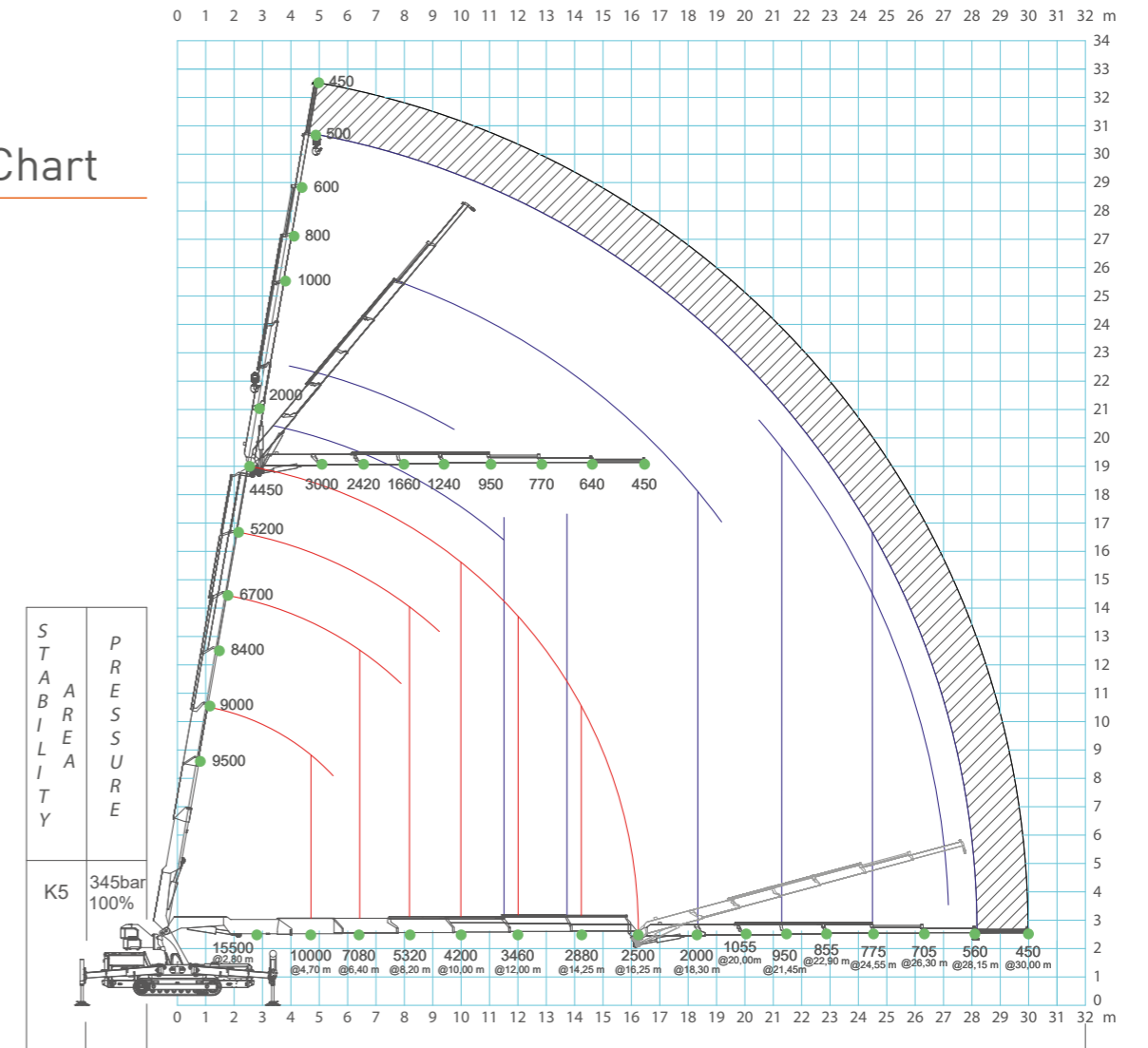


Technical Information

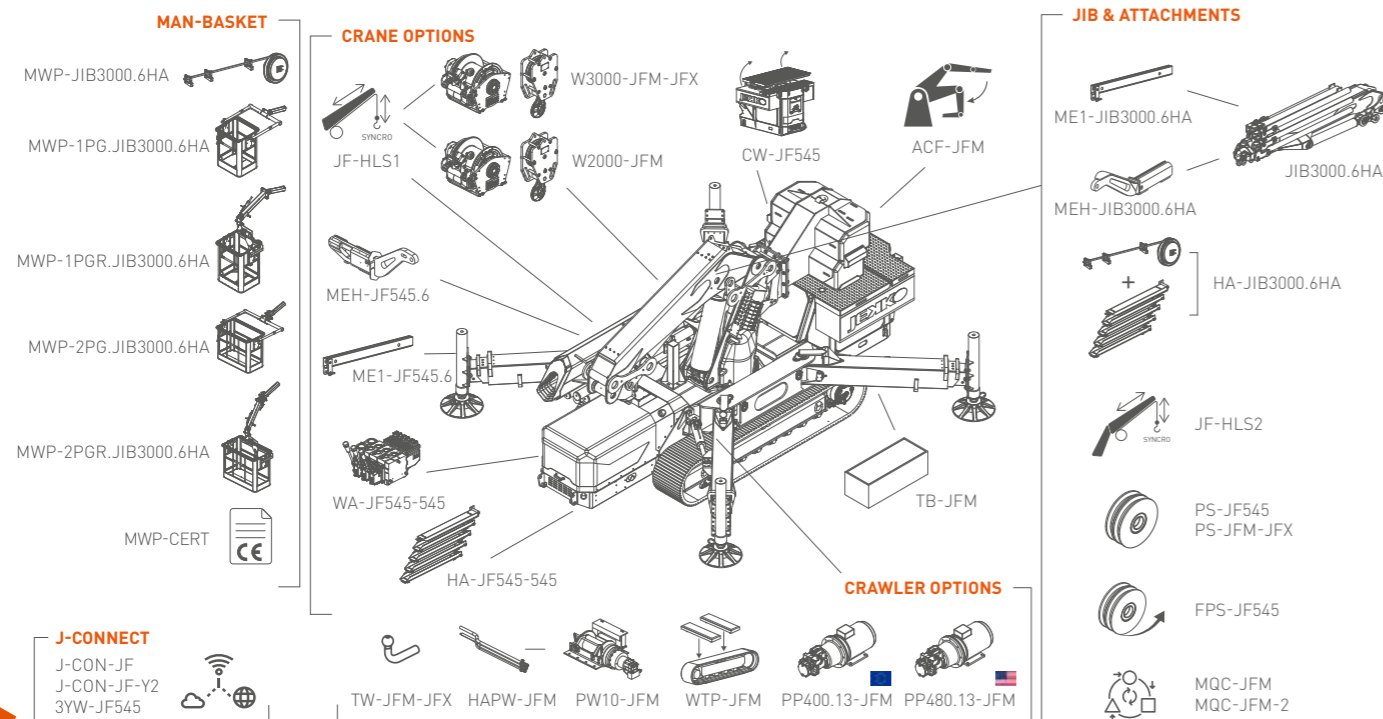
Dimensions		L x W x H	
Footprint		Min	4,25 x 4,25 m
		Max	6,7 x 6,7 m
Crane & Options Weights		Kg	
JF545		13500	
Counterweight		3500	
Pulley Block		60	
Winch		200	
Power Pack		80	
JIB3000.6HA		1200	
Basket		200	
White Pads		300	
Winch		2000 kg single line 60 m - Ø 12 mm	
		3000 kg single line 60 m - Ø 14 mm	
JF545		Diesel Engine	
		KUBOTA V3307-CR-TE4B	55.4 kW 74 Hp
		Electric Power Pack	400V-3F 13 kW 17,4 Hp



Load Chart



Crane Options



Dimensions & Footprint

